

# 40V, 2.1A Low Dropout Adjustable Linear Regulator with Monitoring and Cable Drop Compensation

## FEATURES

- **Wide Input Voltage Range: 1.4V to 40V**
- **1 Resistor Sets Output Voltage: 0.4V to 32V**
- **Output Current: 2.1A**
- **±2% Tolerance Over Line, Load and Temperature**
- **Output Current Monitor:  $I_{MON} = I_{OUT}/1000$**
- **Temperature Monitor with Programmable Thermal Limit**
- **Programmable Cable Drop Compensation**
- **Parallel Multiple Devices for Higher Current**
- **Dropout Voltage: 330mV**
- **1 Capacitor Soft-Starts Output and Decreases Noise**
- **Low Output Noise: 40µV<sub>RMS</sub> (10Hz to 100kHz)**
- **Precision, Programmable External Current Limit**
- **Power Good Flag with Programmable Threshold**
- **Ceramic Output Capacitors: 10µF Minimum**
- **Quiescent Current in Shutdown: <1µA**
- **Reverse-Battery, -Current and -Output Protection**
- **Available in 5mm × 4mm 16-Lead DFN, 16-Lead TSSOP, 7-Lead DD-Pak and 7-Lead TO-220.**

## APPLICATIONS

- Programmable Linear Regulator
- Post Regulator for Switching Supplies
- USB Power Supplies
- High Reliability Power Supplies

## DESCRIPTION

The **LT<sup>®</sup>3086** is a multi-feature, low dropout, low noise 2.1A linear regulator that operates over a 1.4V to 40V input supply range. Dropout voltage at 2.1A is typically 330mV. One resistor sets output voltage from 0.4V to 32V. Output voltage tolerance is guaranteed to ±2% over line, load and temperature. The LT3086 is stable with ceramic output capacitors, requiring a minimum of 10µF.

The LT3086's programmable cable drop compensation cancels output voltage errors caused by resistive connections to the load. A master/slave configuration allows paralleling of multiple devices for higher load current and heat spreading without external ballast resistor requirements.

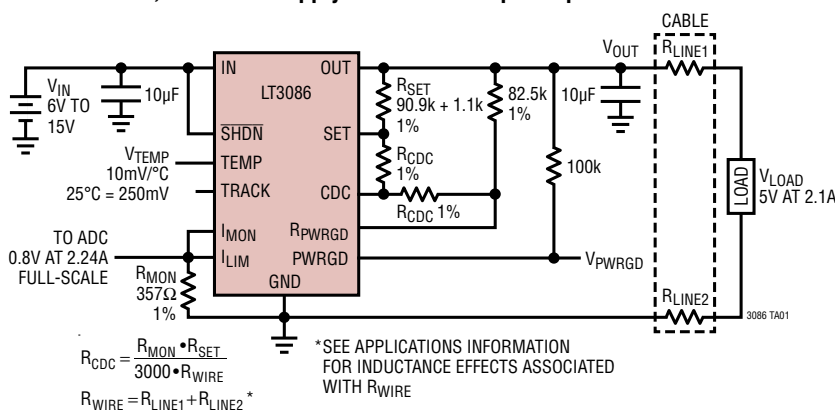
Output current and temperature monitoring along with a power good flag provide system diagnostic and debug capability. Internal fault circuitry includes thermal shutdown and current limit with foldback. Thermal limit and current limit are also externally programmable.

Packages include the thermally enhanced 16-lead (5mm × 4mm) DFN, 16-lead TSSOP, 7-lead DD-Pak and 7-lead TO-220.

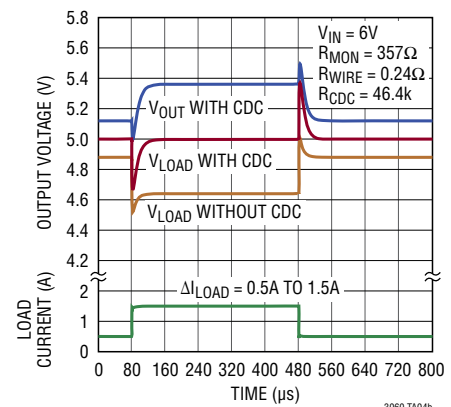
LT, LT, LTC, LTM, Linear Technology and the Linear logo are registered trademarks of Linear Technology Corporation. All other trademarks are the property of their respective owners.

## TYPICAL APPLICATION

**5V, 2.1A USB Supply with Cable Drop Compensation**



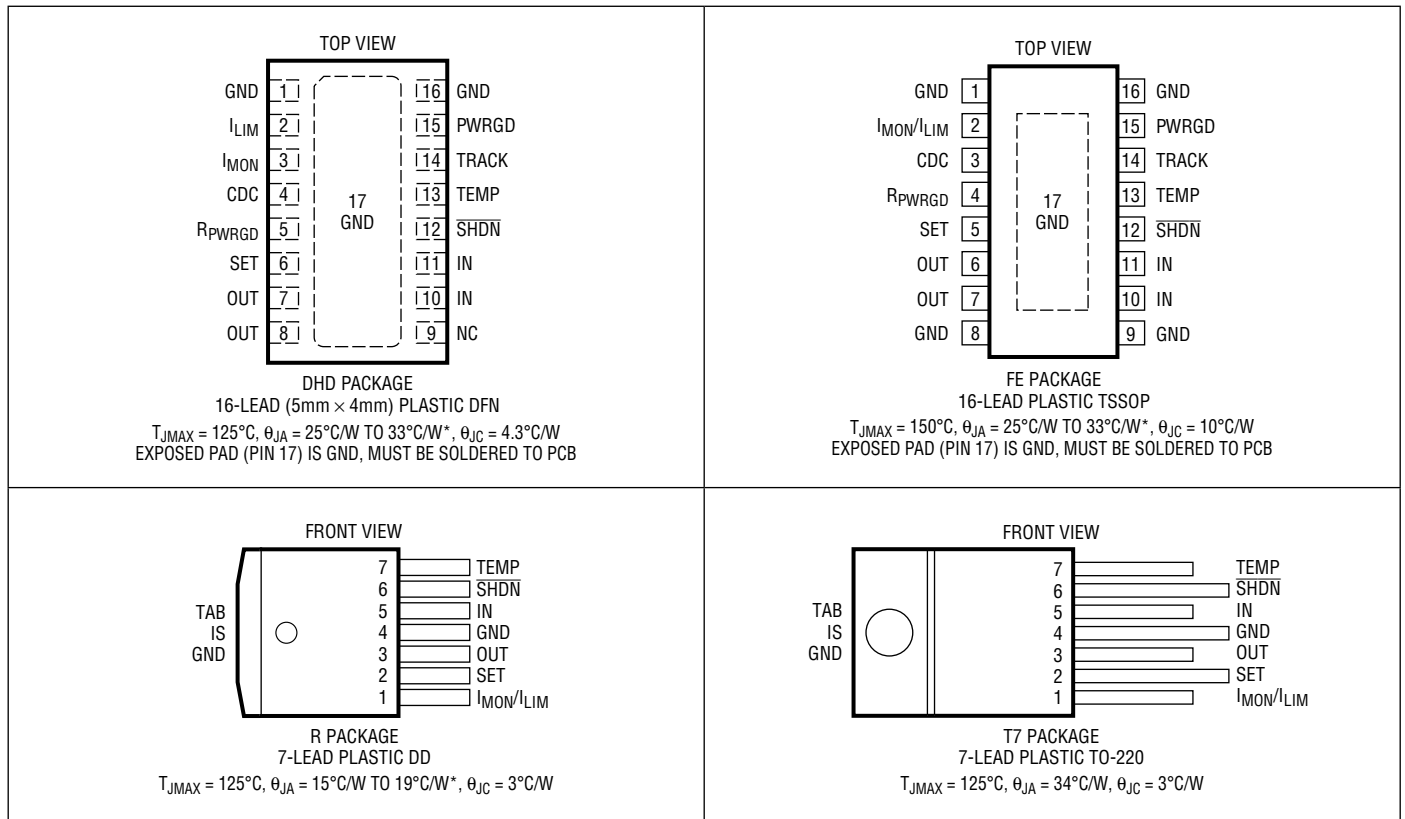
**Transient Response with Cable Drop Compensation (CDC)**



## ABSOLUTE MAXIMUM RATINGS (Note 1)

|   |                                   |   |                |
|---|-----------------------------------|---|----------------|
| IN Pin Voltage .....                                | ±45V                              | PWRGD Pin Voltage.....                          | -0.3, 36V      |
| OUT Pin Voltage.....                                | ±36V                              | R <sub>PWRGD</sub> Pin Voltage.....             | -0.3, 36V      |
| Input-to-Output Differential Voltage (Note 2).....  | ±45V                              | Output Short-Circuit Duration .....             | Indefinite     |
| SET Pin Voltage .....                               | -0.3, 36V                         | Operating Junction Temperature (Notes 3, 5, 12) |                |
| SHDN Pin Voltage .....                              | ±45V                              | E-Grade, I-Grade.....                           | -40°C to 125°C |
| CDC Pin (Internally Clamped, Current into Pin)..... | <8mA                              | MP-Grade .....                                  | -55°C to 125°C |
| I <sub>MON</sub> Pin Voltage .....                  | -0.3, 7V                          | H-Grade .....                                   | -40°C to 150°C |
| I <sub>LIM</sub> Pin Voltage.....                   | -0.3, 2V                          | Storage Temperature Range .....                 | -65 to 150°C   |
| TRACK Pin Voltage ....                              | -0.3, Internally Clamped at 1.25V | Lead Temperature (Soldering, 10 sec)            |                |
| TEMP Pin Voltage .....                              | 0V, 5V                            | (TSSOP, DD-Pak, TO-220 Only) .....              | 300°C          |

## PIN CONFIGURATION



\*See Applications Information section.

**ORDER INFORMATION**

<http://www.linear.com/product/LT3086#orderinfo>

| LEAD FREE FINISH | TAPE AND REEL    | PART MARKING* | PACKAGE DESCRIPTION             | TEMPERATURE RANGE |
|------------------|------------------|---------------|---------------------------------|-------------------|
| LT3086EDHD#PBF   | LT3086EDHD#TRPBF | 3086          | 16-Lead (5mm × 4mm) Plastic DFN | -40°C to 125°C    |
| LT3086IDHD#PBF   | LT3086IDHD#TRPBF | 3086          | 16-Lead (5mm × 4mm) Plastic DFN | -40°C to 125°C    |
| LT3086EFE#PBF    | LT3086EFE#TRPBF  | 3086FE        | 16-Lead Plastic TSSOP           | -40°C to 125°C    |
| LT3086IFE#PBF    | LT3086IFE#TRPBF  | 3086FE        | 16-Lead Plastic TSSOP           | -40°C to 125°C    |
| LT3086MPFE#PBF   | LT3086MPFE#TRPBF | 3086FE        | 16-Lead Plastic TSSOP           | -55°C to 125°C    |
| LT3086HFE#PBF    | LT3086HFE#TRPBF  | 3086FE        | 16-Lead Plastic TSSOP           | -40°C to 150°C    |
| LT3086ER#PBF     | LT3086ER#TRPBF   | LT3086R       | 7-Lead Plastic DD-Pak           | -40°C to 125°C    |
| LT3086IR#PBF     | LT3086IR#TRPBF   | LT3086R       | 7-Lead Plastic DD-Pak           | -40°C to 125°C    |
| LT3086MPR#PBF    | LT3086MPR#TRPBF  | LT3086R       | 7-Lead Plastic DD-Pak           | -55°C to 125°C    |
| LT3086ET7#PBF    | N/A              | LT3086T7      | 7-Lead Plastic TO-220           | -40°C to 125°C    |
| LT3086IT7#PBF    | N/A              | LT3086T7      | 7-Lead Plastic TO-220           | -40°C to 125°C    |
| LT3086MPT7#PBF   | N/A              | LT3086T7      | 7-Lead Plastic TO-220           | -55°C to 125°C    |

Consult LTC Marketing for parts specified with wider operating temperature ranges. \*The temperature grade is identified by a label on the shipping container. For more information on lead free part marking, go to: <http://www.linear.com/leadfree/> For more information on tape and reel specifications, go to: <http://www.linear.com/tapeandree/>. Some packages are available in 500 unit reels through designated sales channels with #TRMPBF suffix.

**ELECTRICAL CHARACTERISTICS** The ● denotes the specifications which apply over the full operating temperature range, otherwise specifications are at T<sub>A</sub> = 25°C.

| PARAMETER                      | CONDITIONS   | MIN              | TYP                 | MAX                      | UNITS                  |                      |
|--------------------------------|--|------------------|---------------------|--------------------------|------------------------|----------------------|
| Minimum Input Voltage (Note 4) | I <sub>LOAD</sub> = 2.1A, ΔV <sub>OUT</sub> = -1%  | ●                | 1.4                 | 1.55                     | V                      |                      |
| Reference Voltage (Notes 3, 5) | V <sub>SET</sub><br>V <sub>IN</sub> = 1.55V, I <sub>LOAD</sub> = 1mA<br>1.55V < V <sub>IN</sub> < 40V, 1mA < I <sub>LOAD</sub> < 2.1A (T <sub>J</sub> < 125°C)<br>1.55V < V <sub>IN</sub> < 40V, 1mA < I <sub>LOAD</sub> < 2.1A (H-Grade, T <sub>J</sub> > 125°C)  | ●                | 396<br>392<br>388   | 400<br>400<br>400        | mV<br>mV<br>mV         |                      |
| Reference Current              | I <sub>SET</sub><br>V <sub>IN</sub> = 1.55V, I <sub>LOAD</sub> = 1mA<br>1.55V < V <sub>IN</sub> < 40V, 1mA < I <sub>LOAD</sub> < 2.1A  | ●                | 49.5<br>49          | 50<br>50                 | 50.5<br>51             | μA<br>μA             |
| Line Regulation                | V <sub>SET</sub><br>V <sub>SET</sub><br>I <sub>SET</sub><br>V <sub>IN</sub> = 1.55V to 40V, I <sub>LOAD</sub> = 1mA (T <sub>J</sub> < 125°C)<br>V <sub>IN</sub> = 1.55V to 40V, I <sub>LOAD</sub> = 1mA (H-Grade, T <sub>J</sub> > 125°C)<br>V <sub>IN</sub> = 1.55V to 40V, I <sub>LOAD</sub> = 1mA   | ●<br>●<br>●      | <br><br>-0.12       | 0.1<br><br>-0.03         | 0.8<br>1<br>μA         | mV<br>mV<br>μA       |
| Load Regulation (Notes 6, 7)   | V <sub>SET</sub><br>V <sub>SET</sub><br>I <sub>SET</sub><br>I <sub>SET</sub><br>I <sub>LOAD</sub> = 1mA to 2.1A, V <sub>IN</sub> = V <sub>OUT</sub> + 0.55V (T <sub>J</sub> < 125°C)<br>I <sub>LOAD</sub> = 1mA to 2.1A, V <sub>IN</sub> = V <sub>OUT</sub> + 0.55V (H-Grade, T <sub>J</sub> > 125°C)<br>I <sub>LOAD</sub> = 1mA to 2.1A, V <sub>IN</sub> = V <sub>OUT</sub> + 0.55V (T <sub>J</sub> < 125°C)<br>I <sub>LOAD</sub> = 1mA to 2.1A, V <sub>IN</sub> = V <sub>OUT</sub> + 0.55V (H-Grade, T <sub>J</sub> > 125°C) | ●<br>●<br>●<br>● | <br><br>-8<br>-0.16 | 0.25<br><br>0.02<br>0.08 | 1<br>1<br>0.08<br>0.08 | mV<br>mV<br>μA<br>μA |
| Minimum Load Current (Note 16) |  | ●                |                     | 1                        | mA                     |                      |
| Dropout Voltage (Notes 7, 8)   | I <sub>LOAD</sub> = 1mA  | ●                | 10                  | 65                       | mV                     |                      |
|                                | I <sub>LOAD</sub> = 100mA  | ●                |                     | 100                      | 135                    | mV                   |
|                                | I <sub>LOAD</sub> = 500mA  | ●                |                     | 150                      | 195                    | mV                   |
|                                | I <sub>LOAD</sub> = 1.5A   | ●                |                     | 260                      | 335                    | mV                   |
|                                | I <sub>LOAD</sub> = 2.1A   | ●                |                     | 330                      | 415                    | mV                   |
|                                |  |                  |                     |                          | 540                    | mV                   |

## ELECTRICAL CHARACTERISTICS

The ● denotes the specifications which apply over the full operating temperature range, otherwise specifications are at  $T_A = 25^\circ\text{C}$ .

| PARAMETER  | CONDITIONS   |   | MIN           | TYP          | MAX   | UNITS               |
|--|--|---|---------------|--------------|-------|---------------------|
| GND Pin Current<br>$V_{IN} = V_{OUT(NOMINAL)} + 0.55\text{V}$ , (Notes 7, 9)     | $I_{LOAD} = 0\mu\text{A}$  | ● |               | 1.2          | 2.4   | mA                  |
|  | $I_{LOAD} = 1\text{mA}$  | ● |               | 1.3          | 2.6   | mA                  |
|  | $I_{LOAD} = 100\text{mA}$  | ● |               | 1.8          | 3.6   | mA                  |
|  | $I_{LOAD} = 500\text{mA}$  | ● |               | 4.5          | 9     | mA                  |
|  | $I_{LOAD} = 1.5\text{A}$   | ● |               | 23           | 46    | mA                  |
|  | $I_{LOAD} = 2.1\text{A}$   | ● |               | 44           | 88    | mA                  |
| Quiescent Current in Shutdown  | $V_{IN} = 40\text{V}$ , $V_{SHDN} = 0\text{V}$   |   |               | 0.1          | 1     | $\mu\text{A}$       |
| Output Voltage Noise   | $C_{SET} = 0.01\mu\text{F}$ , $C_{OUT} = 10\mu\text{F}$ , $I_{LOAD} = 2.1\text{A}$<br>$V_{OUT} = 5\text{V}$ , BW = 10Hz to 100kHz                          |   |               | 40           |       | $\mu\text{V}_{RMS}$ |
| Shutdown Threshold   | $V_{OUT} = \text{Off to On}$   | ● | 1.12          | 1.22         | 1.32  | V                   |
|  | $V_{OUT} = \text{On to Off}$   | ● | 0.85          | 1.03         |       | V                   |
| SHDN Pin Current (Note 10)<br>$1.55\text{V} < V_{IN} < 40\text{V}$               | $V_{SHDN} = 0\text{V}$   | ● |               |              | 1     | $\mu\text{A}$       |
|  | $V_{SHDN} = 40\text{V}$  | ● |               | 15           | 35    | $\mu\text{A}$       |
| TEMP Voltage (Note 13)   | $T_J = 25^\circ\text{C}$<br>$T_J = 125^\circ\text{C}$  |   |               | 0.25<br>1.25 |       | V<br>V              |
| TEMP Error (Note 13)   | $0^\circ\text{C} < T_J < 125^\circ\text{C}$ , $I_{TEMP} = 0$<br>$0^\circ\text{C} < T_J < 125^\circ\text{C}$ , $I_{TEMP} = 0\mu\text{A}$ to $80\mu\text{A}$ |   | -0.09<br>-0.1 |              | 0.09  | V<br>V              |
| $I_{TEMP}$ Thermal Limit Current Threshold                                       | $25^\circ\text{C} < T_J < 125^\circ\text{C}$   |   | 95            | 100          | 105   | $\mu\text{A}$       |
| $I_{MON}$ Output Current<br>$V_{IN} = V_{OUT(NOMINAL)} + 0.55\text{V}$ (Note 15) | $I_{LOAD} = 20\text{mA}$ , $R_{MON} = 1\text{k}\Omega$   | ● | 5             | 20           | 75    | $\mu\text{A}$       |
|  | $I_{LOAD} = 500\text{mA}$ , $R_{MON} = 330\Omega$  | ● | 440           | 500          | 560   | $\mu\text{A}$       |
|  | $I_{LOAD} = 1\text{A}$ , $R_{MON} = 330\Omega$   | ● | 0.95          | 1.00         | 1.05  | mA                  |
|  | $I_{LOAD} = 1.5\text{A}$ , $R_{MON} = 330\Omega$   | ● | 1.43          | 1.50         | 1.57  | mA                  |
|  | $I_{LOAD} = 2.1\text{A}$ , $R_{MON} = 330\Omega$   | ● | 2.02          | 2.10         | 2.18  | mA                  |
| Output Current Sharing Error (Note 14)   | $R_{MON} = 330\Omega$ , $I_{OUT(MASTER)} = 2.1\text{A}$  |   | -10           | 0            | 10    | %                   |
| TRACK Pin Pull-Up Current  | $V_{TRACK} = 750\text{mV}$   | ● | 7             | 15           | 25    | $\mu\text{A}$       |
| $R_{PWRGD}$ Reference Voltage  | $1.55\text{V} < V_{IN} < 40\text{V}$   | ● | 390           | 400          | 410   | mV                  |
| $R_{PWRGD}$ Reference Current  | $1.55\text{V} < V_{IN} < 40\text{V}$   | ● | 48.75         | 50           | 51.25 | $\mu\text{A}$       |
| $R_{PWRGD}$ Reference Voltage Hysteresis   | $1.55\text{V} < V_{IN} < 40\text{V}$   |   |               | 2.4          |       | mV                  |
| $R_{PWRGD}$ Reference Current Hysteresis   | $1.55\text{V} < V_{IN} < 40\text{V}$   |   |               | 300          |       | nA                  |
| $PWRGD$ $V_{OL}$   | $I_{PWRGD} = 200\mu\text{A}$ (Fault Condition)   | ● |               | 55           | 200   | mV                  |
| $PWRGD$ Internal Time Delay  | $V_{OL}$ TO $V_{OH}$ (Rising Edge)   | ● | 8             | 17           | 25    | $\mu\text{s}$       |
| $PWRGD$ Pin Leakage Current  | $V_{PWRGD} = 32\text{V}$ , $V_{RPWRGD} = 500\text{mV}$   | ● |               |              | 1     | $\mu\text{A}$       |
| CDC Reference Voltage  | $1.55\text{V} < V_{IN} < 40\text{V}$ , $I_{MON} = 0\text{V}$   | ● | 390           | 400          | 410   | mV                  |
| CDC/ $V_{IMON}$ Voltage Gain   | $1.55\text{V} < V_{IN} < 40\text{V}$ , $0 < I_{CDC} < 20\mu\text{A}$ , $V_{IMON} = 800\text{mV}$ to 0  | ● | 0.320         | 0.333        | 0.343 | V/V                 |
| Ripple Rejection   | $V_{IN} = 1.9\text{V}$ (AVG), $V_{RIPPLE} = 0.5\text{V}_{P-P}$ , $V_{OUT} = 1\text{V}$<br>$f_{RIPPLE} = 120\text{Hz}$ , $I_{LOAD} = 2.1\text{A}$           |   | 65            | 80           |       | dB                  |
| Internal Current Limit   | $V_{IN} = 1.55\text{V}$  | ● | 2.2           | 2.4          | 2.9   | A                   |
|  | $V_{IN} = V_{OUT(NOMINAL)} + 0.55\text{V}$ (Notes 7, 12), $\Delta V_{OUT} = -5\%$  | ● | 2.2           |              |       | A                   |
| $I_{LIM}$ Threshold Voltage  | $1.55\text{V} < V_{IN} < 40\text{V}$   | ● | 775           | 800          | 825   | mV                  |
| Input Reverse-Leakage Current  | $V_{IN} = -40\text{V}$ , $V_{OUT} = 0$   | ● |               |              | 2     | mA                  |
| Reverse-Output Current (Note 11)   | $V_{OUT} = 32\text{V}$ , $V_{IN} = 0$ , $V_{SHDN} = 0$   |   |               | 1            | 10    | $\mu\text{A}$       |

**Note 1:** Stresses beyond those listed under Absolute Maximum Ratings may cause permanent damage to the device. Exposure to any Absolute Maximum Rating condition for extended periods may affect device reliability and lifetime.

**Note 2:** Absolute maximum input-to-output differential voltage is not achievable with all combinations of rated IN pin and OUT pin voltages. With the IN pin at 45V, the OUT pin may not be pulled below 0V. The total IN to OUT differential voltage must not exceed  $\pm 45\text{V}$ .

**Note 3:** The LT3086 is tested and specified under pulse load conditions such that  $T_J \equiv T_A$ . The LT3086E is 100% production tested at  $T_A = 25^\circ\text{C}$  and performance is guaranteed from  $0^\circ\text{C}$  to  $125^\circ\text{C}$ . Specifications over the  $-40^\circ\text{C}$  to  $125^\circ\text{C}$  operating junction temperature range are assured by design, characterization and correlation with statistical process controls. The LT3086I is guaranteed over the full  $-40^\circ\text{C}$  to  $125^\circ\text{C}$  operating junction temperature range. The LT3086MP is 100% tested over the  $-55^\circ\text{C}$  to  $125^\circ\text{C}$  operating junction temperature range. The LT3086H is 100% tested

3086fb

## ELECTRICAL CHARACTERISTICS

at the 150°C operating junction temperature. High junction temperatures degrade operating lifetimes. Operating lifetime is derated at junction temperatures greater than 125°C.

**Note 4:** The LT3086 is tested and specified for these conditions with the SET pin connected to the OUT pin,  $V_{OUT} = 0.4V$ .

**Note 5:** Maximum junction temperature limits operating conditions. The regulated output voltage specification does not apply for all possible combinations of input voltage and output current. Limit the output current range if operating at large input-to-output voltage differentials. Limit the input-to-output voltage differential if operating at maximum output current. Current limit foldback limits the maximum output current as a function of input-to-output voltage. See Current Limit vs  $V_{IN} - V_{OUT}$  in the Typical Performance Characteristics section.

**Note 6:** Load regulation is Kelvin-sensed at the package.

**Note 7:** To satisfy minimum input voltage requirements, the LT3086 is tested and specified for these conditions with a 32k resistor between OUT and SET for a 2V output voltage.

**Note 8:** Dropout voltage is the minimum input-to-output voltage differential needed to maintain regulation at a specified output current. In dropout, the output voltage equals:  $(V_{IN} - V_{DROPOUT})$ . For low output voltages and certain load conditions, minimum input voltage requirements limit dropout voltage. See the Minimum Input Voltage curve in the Typical Performance Characteristics section.

**Note 9:** GND pin current is tested with  $V_{IN} = V_{OUT(NOMINAL)} + 0.55V$  and PWRGD pin floating. GND pin current increases in dropout. See GND pin current curves in the Typical Performance Characteristics section.

**Note 10:** SHDN pin current flows into the SHDN pin.

**Note 11:** Reverse-output current is tested with the IN pin grounded and the OUT pin forced to a voltage. The current flows into the OUT pin and out of the GND pin.

**Note 12:** The IC includes overtemperature protection circuitry that protects the device during momentary overload conditions. Junction temperature exceeds 125°C (LT3086E, LT3086I, LT3086MP) or 150°C (LT3086H) when the overtemperature circuitry is active unless thermal limit is externally set by loading the TEMP pin. Continuous operation above the specified maximum junction temperature may impair device reliability.

**Note 13:** The TEMP output voltage represents the average die temperature next to the power transistor while the center of the transistor can be significantly hotter during high power conditions. Due to power dissipation and temperature gradients across the die, the TEMP output voltage measurement does not guarantee that absolute maximum junction temperature is not exceeded.

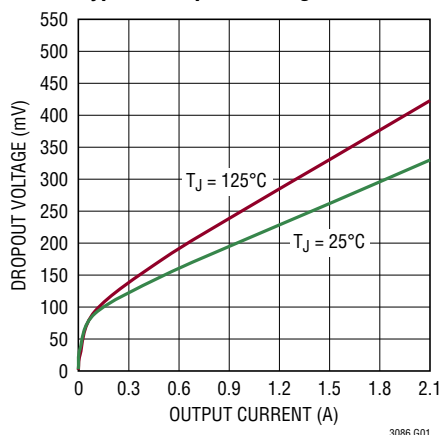
**Note 14:** Output current sharing error is the difference in output currents of a slave relative to its master when two LT3086 regulators are paralleled. The device is tested as a slave with  $V_{TRACK} = 0.693V$ ,  $R_{MON} = 330\Omega$  and  $V_{SET} = 0.4V$ , conditions when an ideal master is outputting 2.1A. The specification limits account for the slave output tracking error from 2.1A and the worst-case error that can be contributed by a master: the maximum deviation of  $V_{SET}$  from 0.4V and  $I_{MON}$  from 2.1mA.

**Note 15:** The LT3086 is tested and specified for these conditions with the  $I_{MON}$  and  $I_{LIM}$  pins tied together.

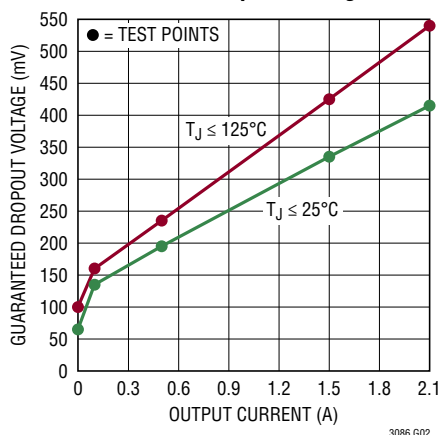
**Note 16:** The LT3086 requires a minimum load current to ensure proper regulation and stability.

## TYPICAL PERFORMANCE CHARACTERISTICS $T_A = 25^\circ C$ , unless otherwise noted.

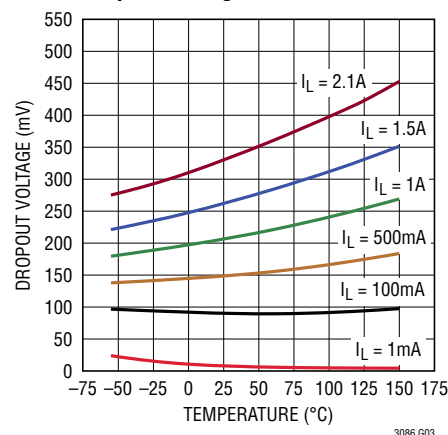
Typical Dropout Voltage



Guaranteed Dropout Voltage

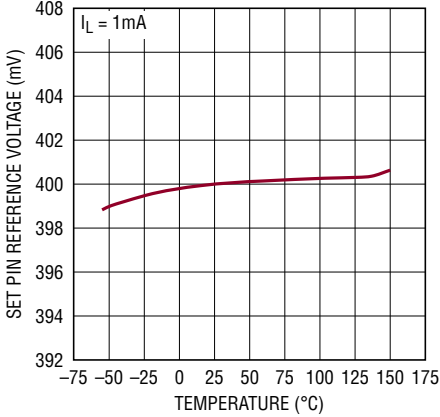


Dropout Voltage



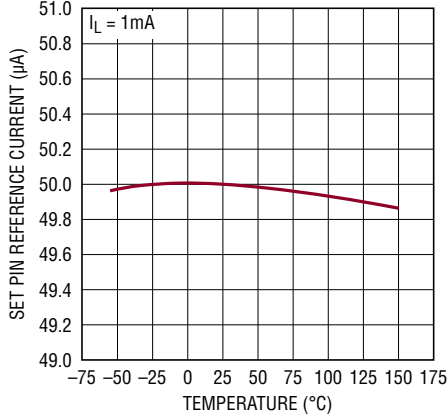
**TYPICAL PERFORMANCE CHARACTERISTICS**  $T_A = 25^\circ\text{C}$ , unless otherwise noted.

**SET Pin Reference Voltage**



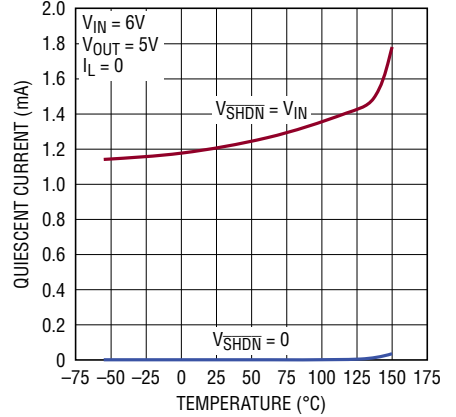
3086 G04

**SET Pin Reference Current**



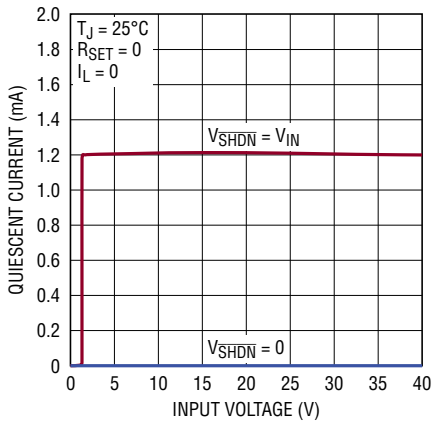
3086 G05

**Quiescent Current**



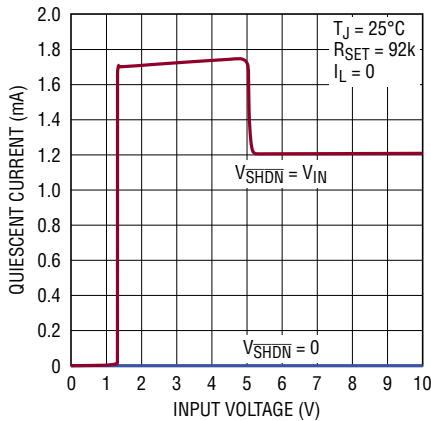
3086 G06

**Quiescent Current,  $V_{OUT} = 0.4V$**



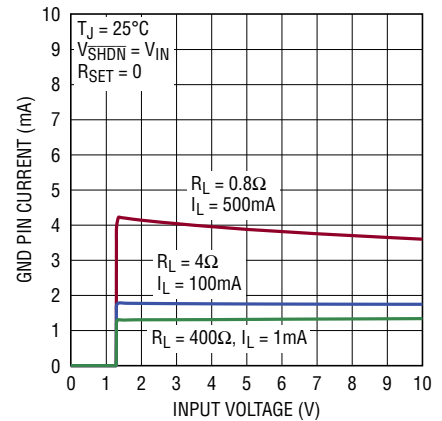
3086 G07

**Quiescent Current,  $V_{OUT} = 5V$**



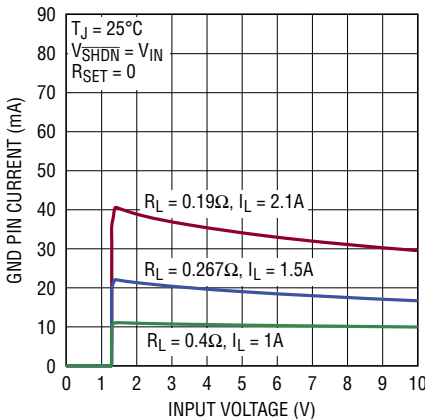
3086 G08

**GND Pin Current,  $V_{OUT} = 0.4V$  (Light Load)**



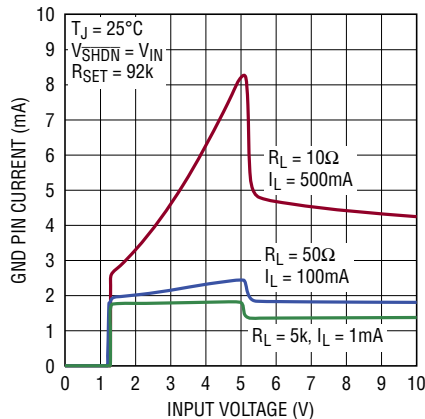
3086 G09

**GND Pin Current,  $V_{OUT} = 0.4V$  (Heavy Load)**



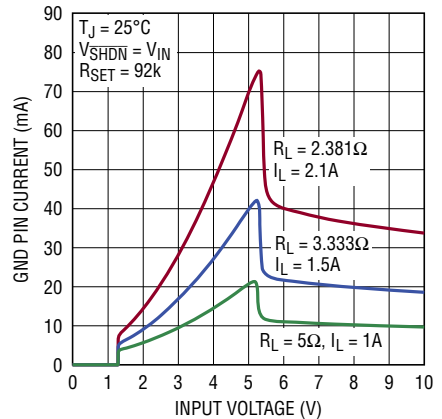
3086 G10

**GND Pin Current,  $V_{OUT} = 5V$  (Light Load)**



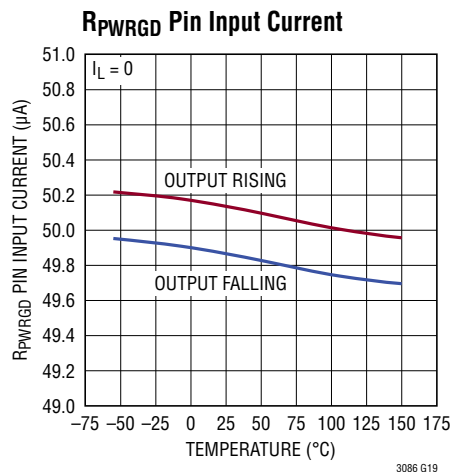
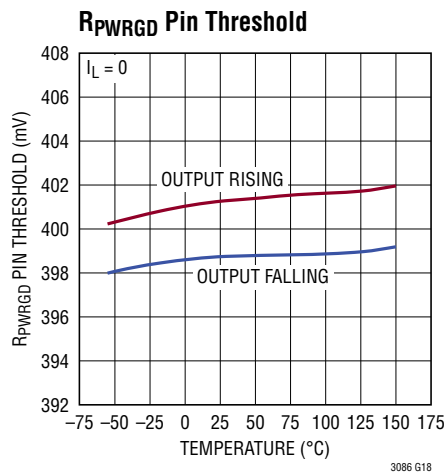
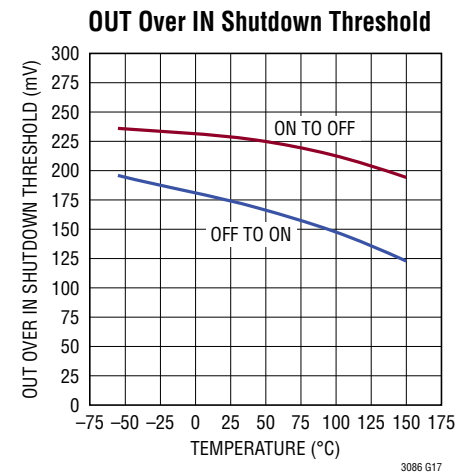
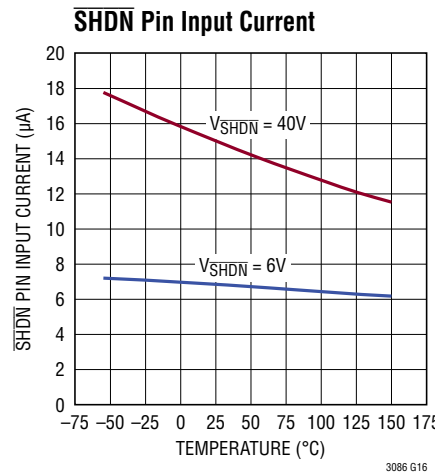
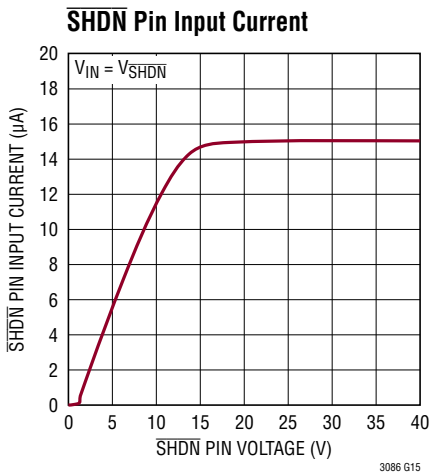
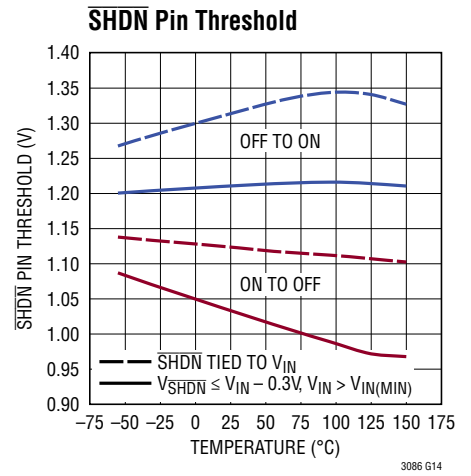
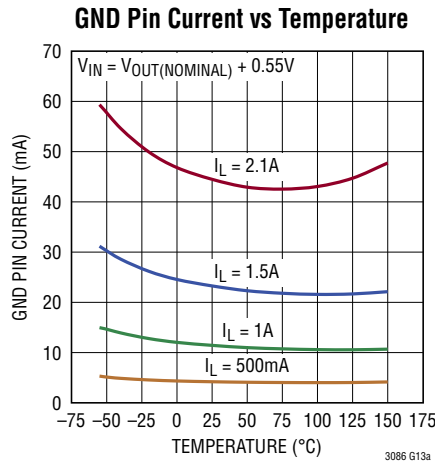
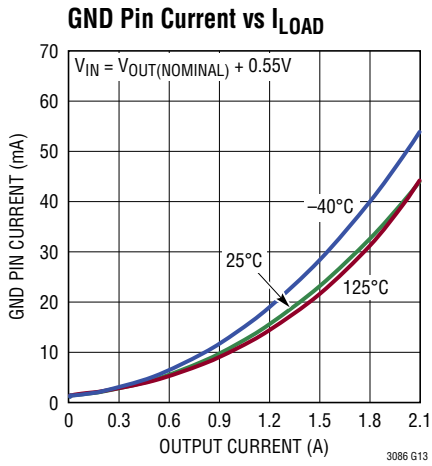
3086 G11

**GND Pin Current,  $V_{OUT} = 5V$  (Heavy Load)**

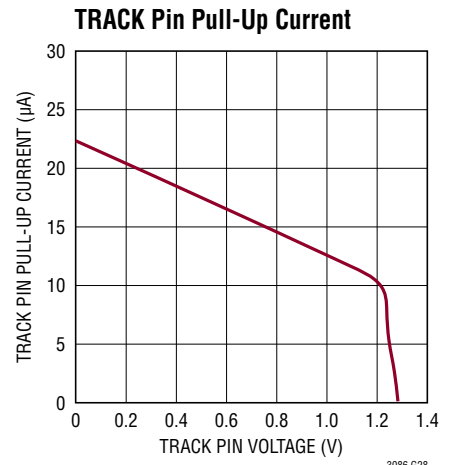
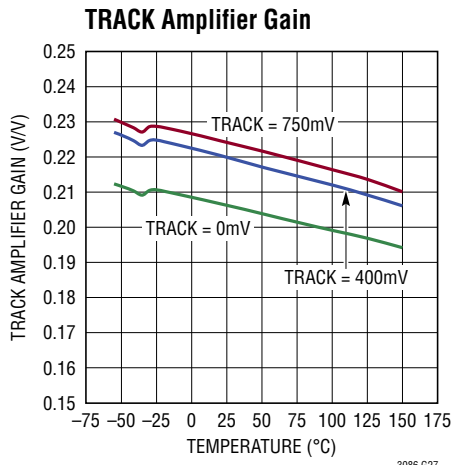
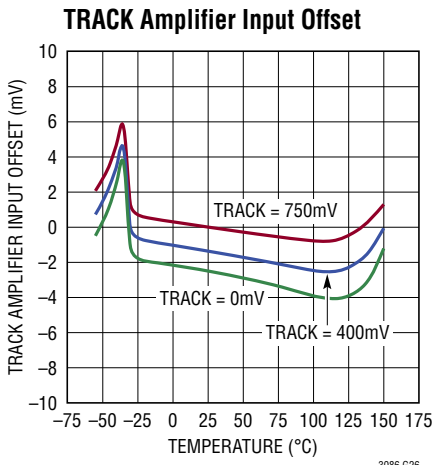
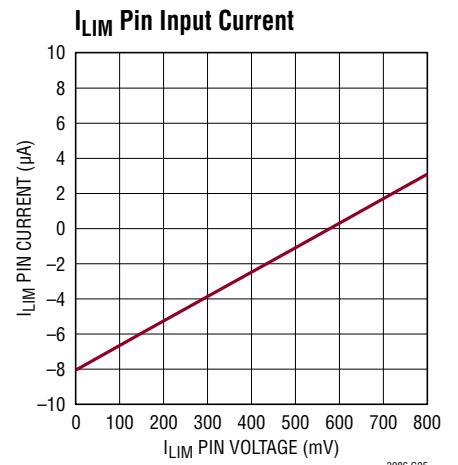
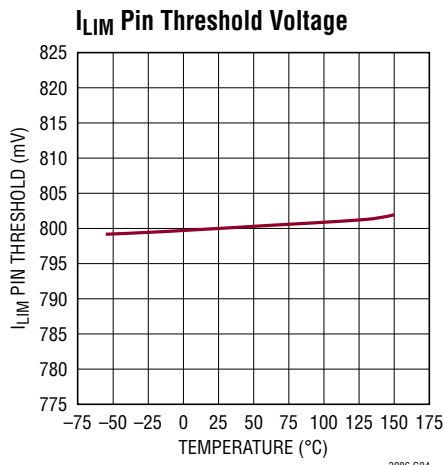
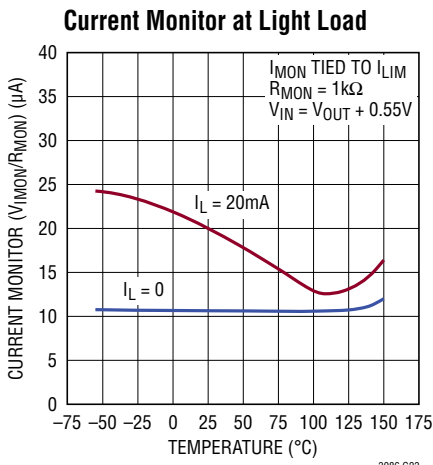
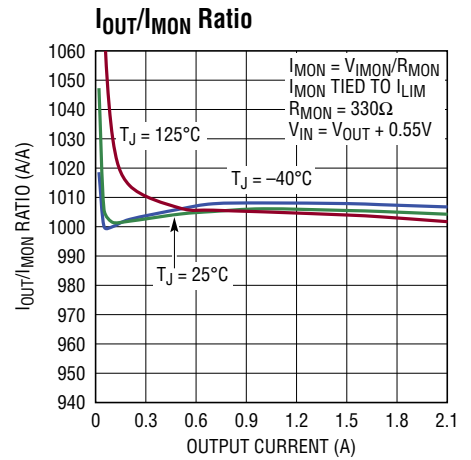
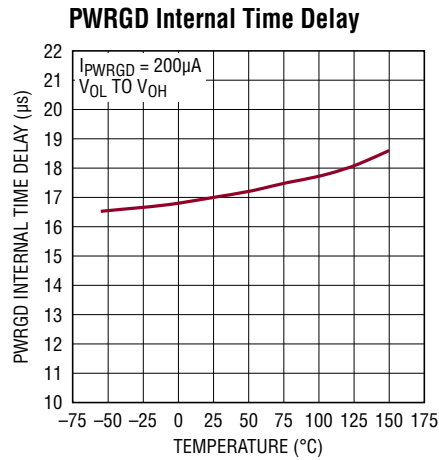
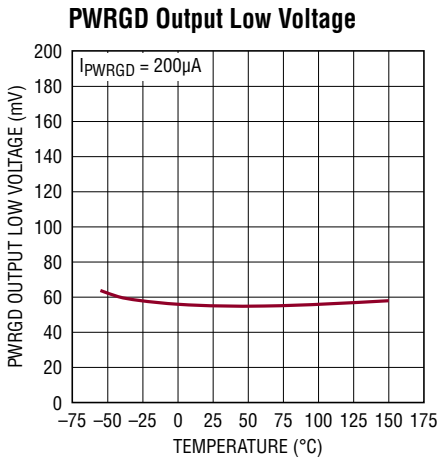


3086 G12

**TYPICAL PERFORMANCE CHARACTERISTICS**  $T_A = 25^\circ\text{C}$ , unless otherwise noted.

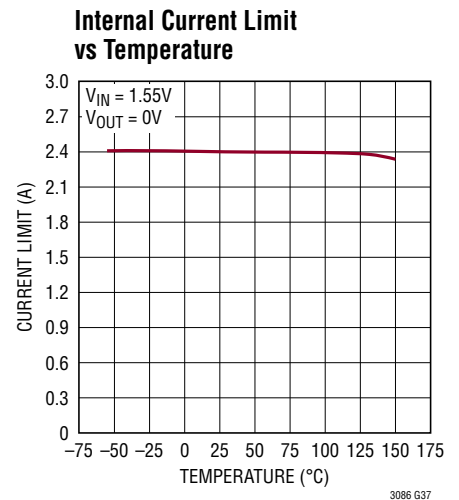
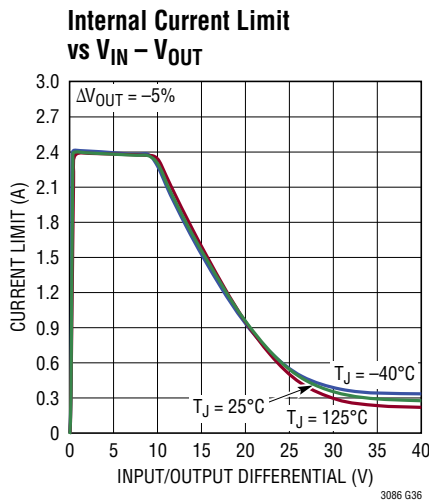
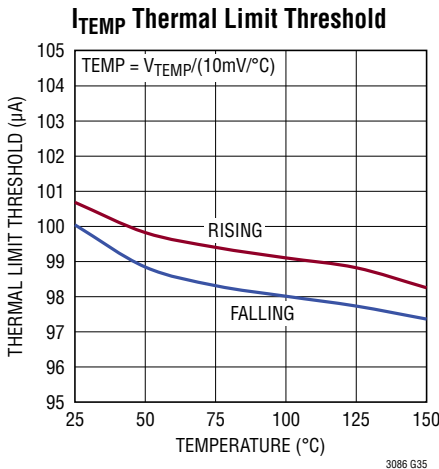
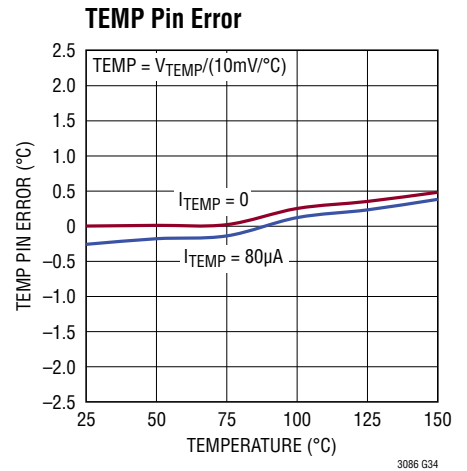
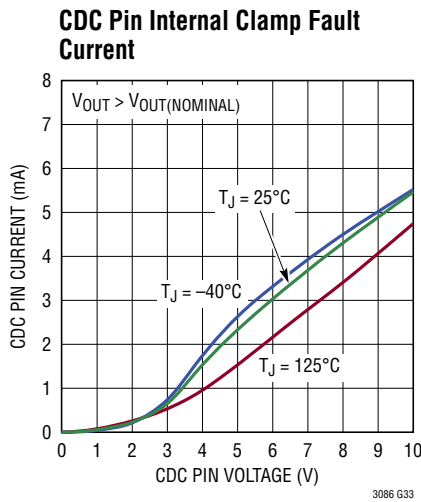
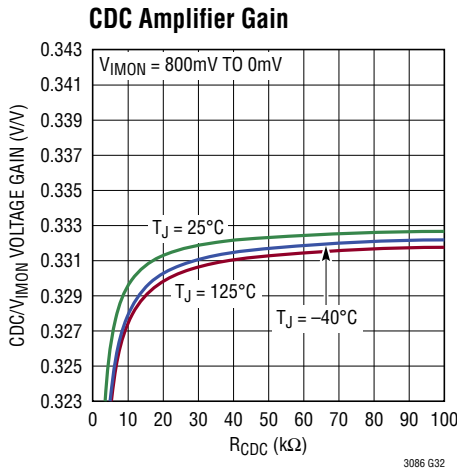
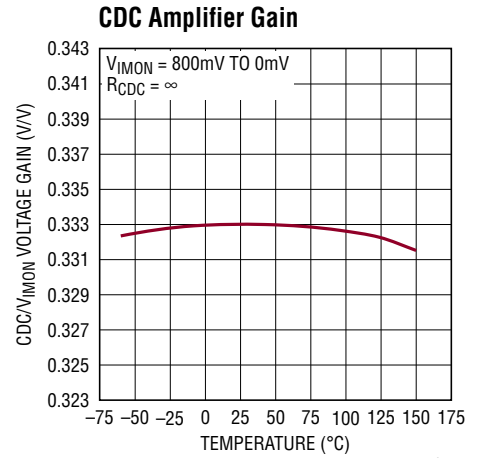
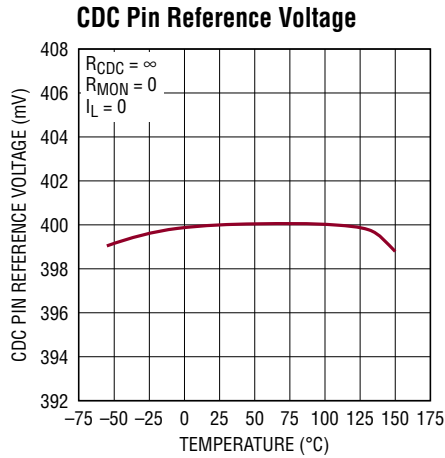
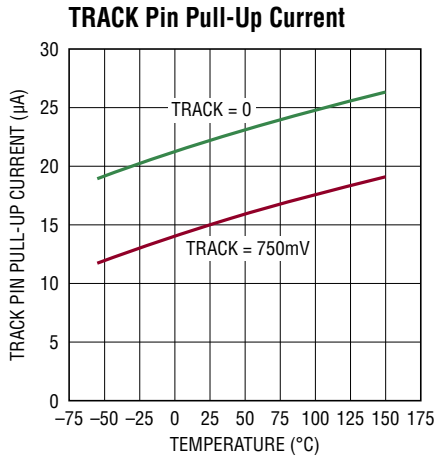


## TYPICAL PERFORMANCE CHARACTERISTICS $T_A = 25^\circ\text{C}$ , unless otherwise noted.

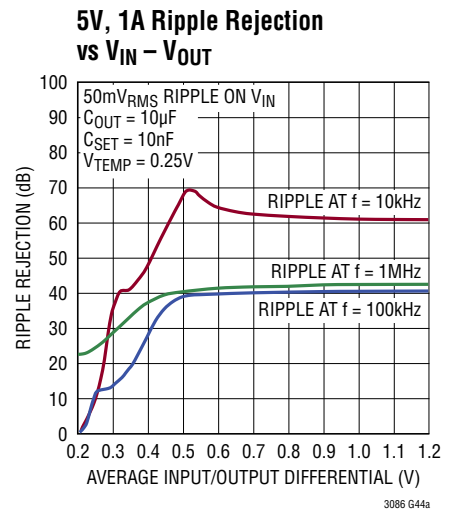
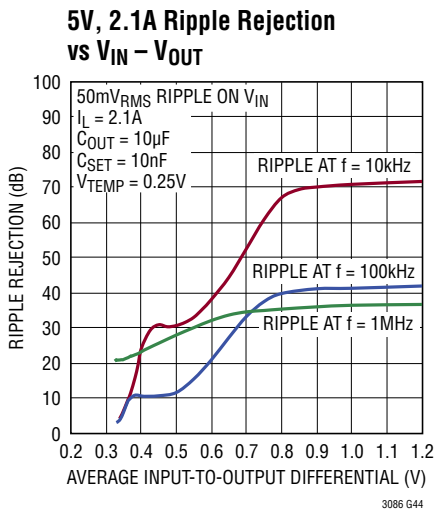
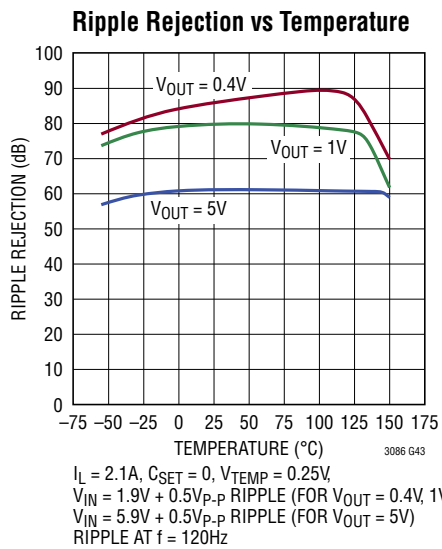
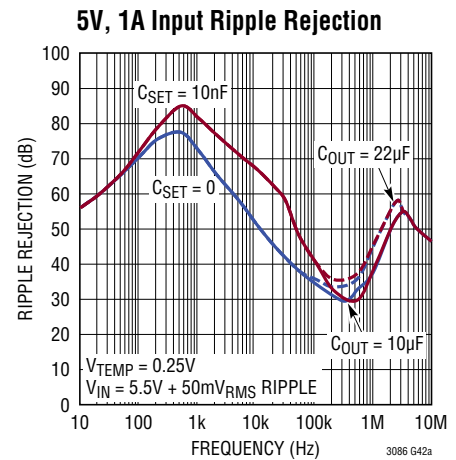
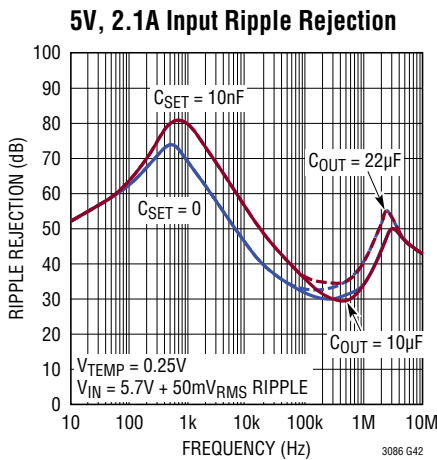
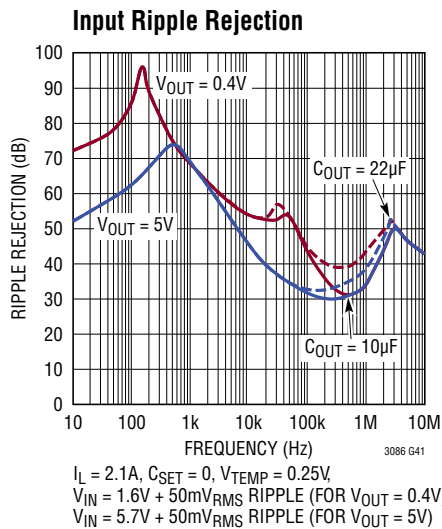
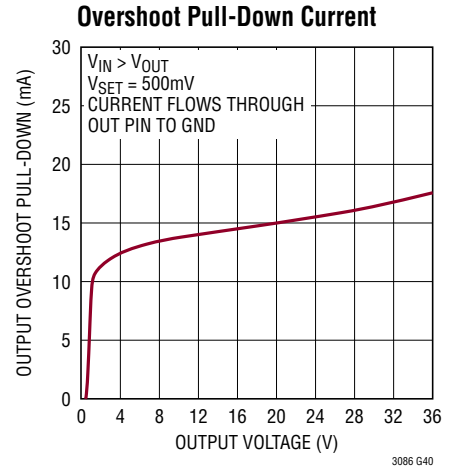
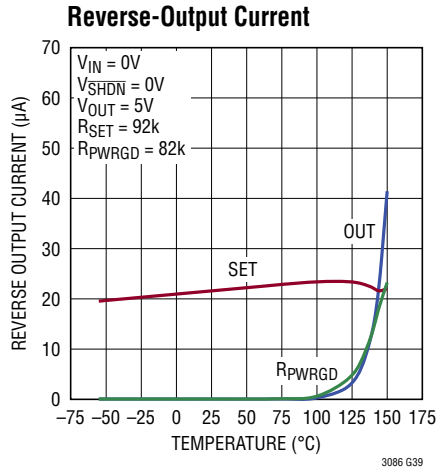
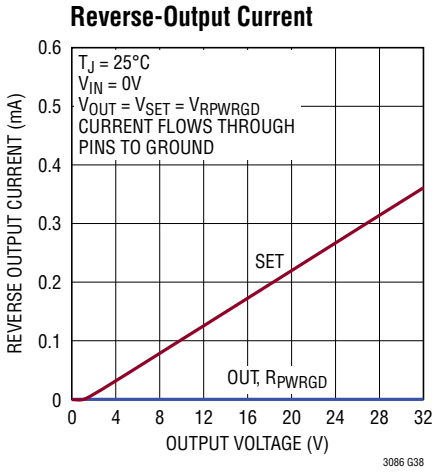




**TYPICAL PERFORMANCE CHARACTERISTICS**  $T_A = 25^\circ\text{C}$ , unless otherwise noted.

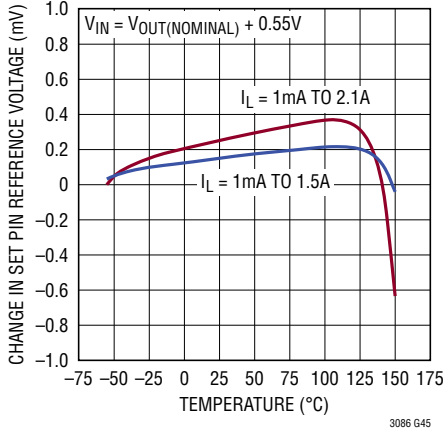


**TYPICAL PERFORMANCE CHARACTERISTICS**  $T_A = 25^\circ\text{C}$ , unless otherwise noted.

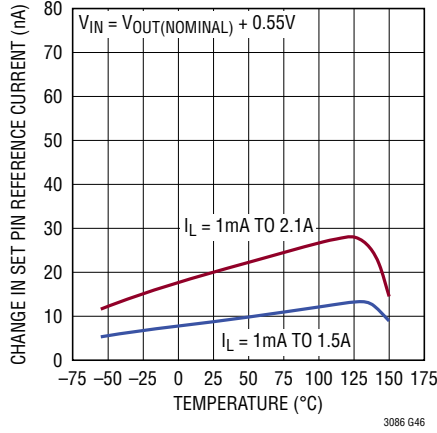


# TYPICAL PERFORMANCE CHARACTERISTICS

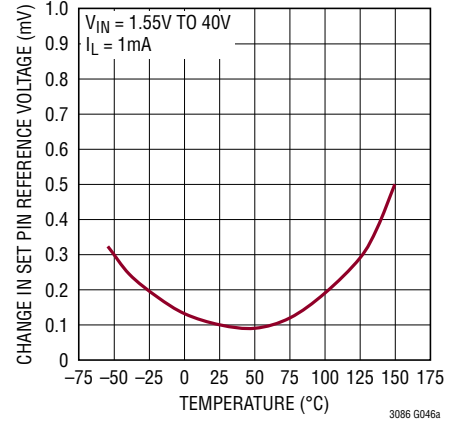
**Reference Voltage Load Regulation**



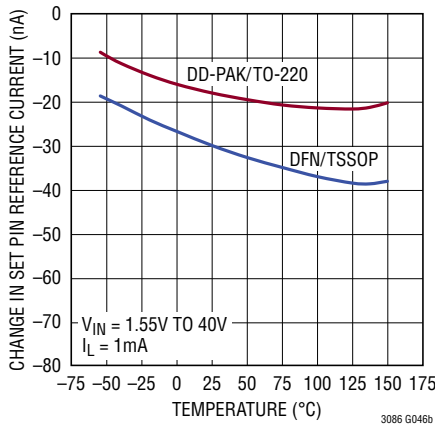
**Reference Current Load Regulation**



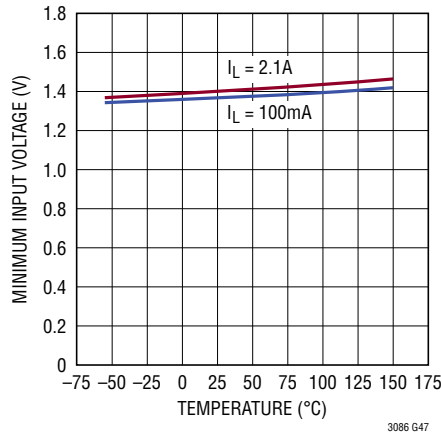
**Reference Voltage Line Regulation**



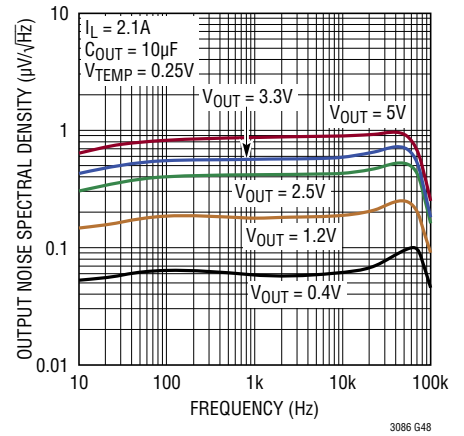
**Reference Current Line Regulation**



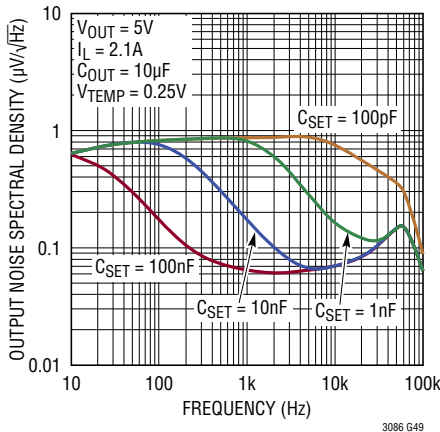
**Minimum Input Voltage**



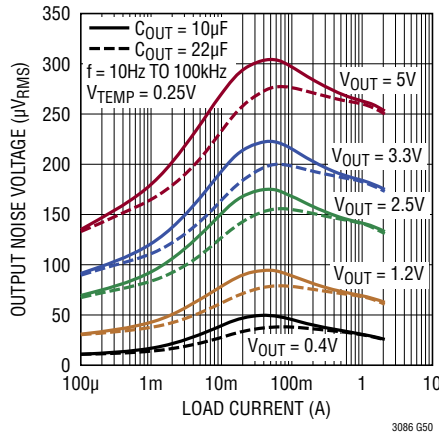
**Output Noise Spectral Density,  $C_{SET} = 0$**



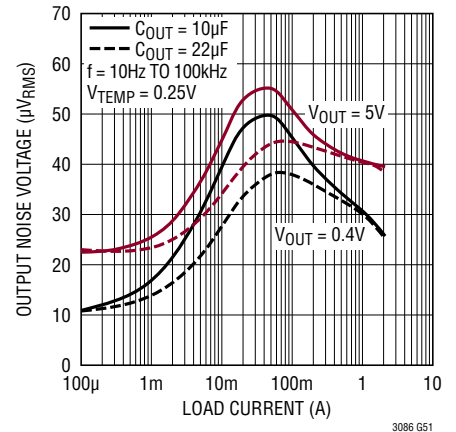
**Output Noise Spectral Density vs  $C_{SET}$**



**RMS Output Noise vs Load Current,  $C_{SET} = 0$**

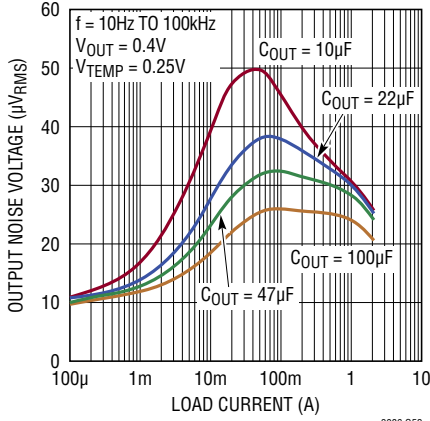


**RMS Output Noise vs Load Current,  $C_{SET} = 10nF$**

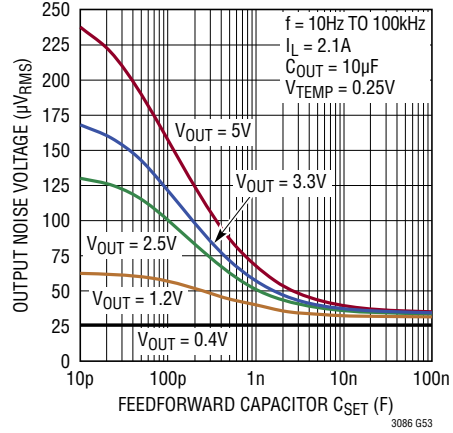


**TYPICAL PERFORMANCE CHARACTERISTICS**  $T_A = 25^\circ\text{C}$ , unless otherwise noted.

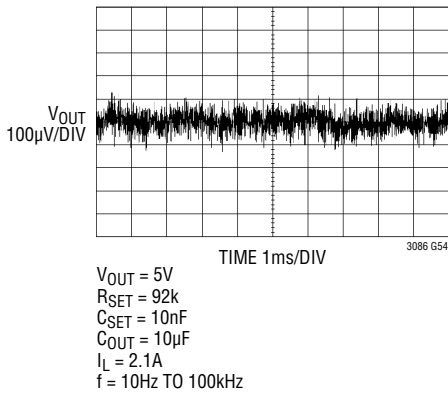
**RMS Output Noise vs Load Current**



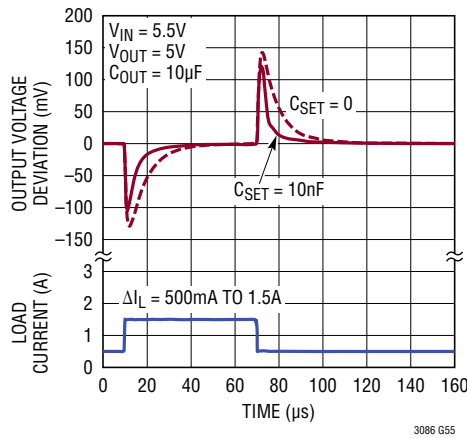
**RMS Output Noise vs Feedforward Capacitor ( $C_{\text{SET}}$ )**



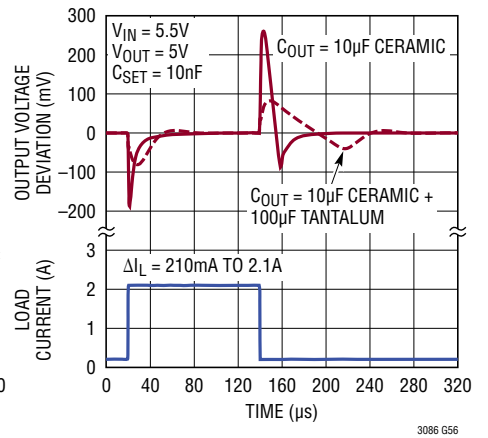
**Output Voltage Noise**



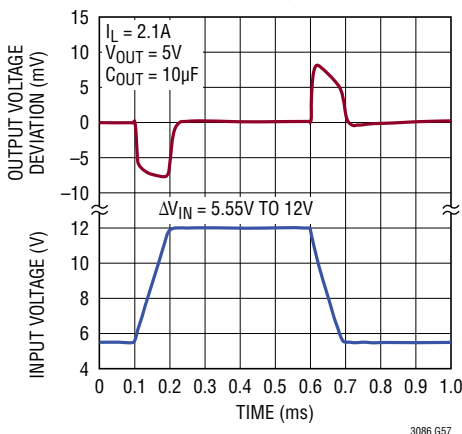
**Load Transient Response**



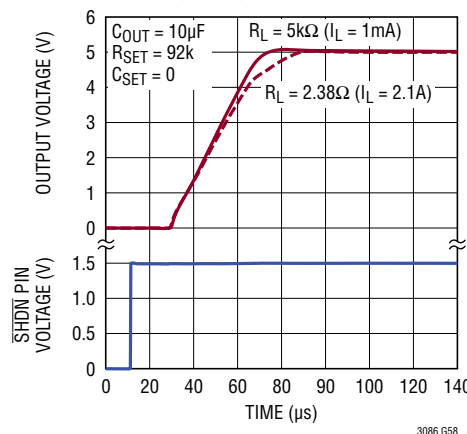
**Load Transient Response**



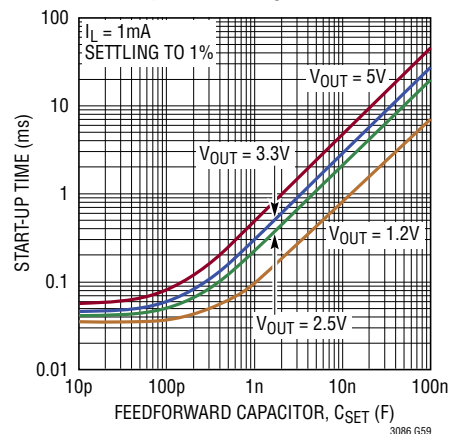
**Line Transient Response**



**Start-Up Response**



**Start-Up Time vs  $C_{\text{SET}}$**



## PIN FUNCTIONS (DFN/TSSOP/DD-Pak/TO-220)

**GND (Pins 1, 16, Exposed Pad Pin 17/Pins 1, 8, 9, 16, Exposed Pad Pin 17/Pin 4/Pin 4):** Ground. The exposed pad of the DFN and TSSOP packages as well as the Tab of the DD-Pak and TO-220 packages is an electrical connection to GND. To ensure proper electrical and thermal performance, tie the exposed pad or tab directly to the remaining GND pins of the relevant package and the PCB ground. GND pin current is typically 1.2mA at zero load and increases to about 44mA at full load.

**I<sub>LIM</sub> (Pin 2/Pin 2/Pin 1/Pin 1):** External Current Limit Programming. This pin externally programs current limit if connected to I<sub>MON</sub> and a resistor to GND. Current limit activates if the voltage at I<sub>LIM</sub> equals 0.8V. Current limit equals:  $1000 \cdot (0.8V/R_{MON})$ . An internal clamp typically limits the I<sub>LIM</sub> voltage to 1V. *If external current limit is set to less than 1A, connect a series 1k-10nF network in parallel with the R<sub>MON</sub> resistor for stability.* Internal current limit foldback overrides externally programmed current limit if V<sub>IN</sub> – V<sub>OUT</sub> differential voltage is excessive. If external current limit programming is not used, then ground this pin.

**I<sub>MON</sub> (Pin 3/Pin 2/Pin 1/Pin 1):** Output Current Monitor. This pin sources a current equal to 1/1000 of output load current. Connecting a resistor from I<sub>MON</sub> to GND programs a load current dependent voltage for monitoring by an ADC. If I<sub>MON</sub> connects to I<sub>LIM</sub>, current limit is externally programmable.

**CDC (Pin 4/Pin 3/NA/NA):** Cable Drop Compensation. Connecting a single resistor (R<sub>CDC</sub>) between the CDC and SET pins provides programmable cable drop compensation that cancels output voltage errors caused by resistive connections to the load. A resistor (R<sub>MON</sub>) from I<sub>MON</sub> to GND is also required to enable Cable Drop Compensation. Choose R<sub>MON</sub> first based on required current limit.

$$R_{MON} = 0.8V \cdot 1000/I_{LIM}$$

Calculate the value of R<sub>CDC</sub> with this formula:

$$R_{CDC} = (R_{MON} \cdot R_{SET}) / (3000 \cdot R_{WIRE})$$

where R<sub>WIRE</sub> is the total cable or wire resistance to and from the load. From a practical application standpoint, LTC recommends limiting cable drop compensation to 20% of V<sub>OUT</sub> for applications needing good regulation. The limiting factor is variations in wire temperature as

copper wire resistance changes about 19% for a 50°C temperature change. If output regulation requirements are loose (e.g., when using a secondary regulator), cable drop compensation of up to 50% may be used.

**R<sub>PWRGD</sub> (Pin 5/Pin 4/NA/NA):** Power Good Threshold Voltage Programming. This pin is the input to the power good comparator. Connecting a resistor between OUT and R<sub>PWRGD</sub> programs an adjustable power good threshold voltage. The threshold voltage is 0.4V on the R<sub>PWRGD</sub> pin, and a 50µA current source is connected from R<sub>PWRGD</sub> to GND. If the voltage at R<sub>PWRGD</sub> is less than 0.4V, the PWRGD flag asserts and pulls low. If the voltage at R<sub>PWRGD</sub> is greater than 0.4V, the PWRGD flag de-asserts and becomes high impedance. For most applications, PWRGD is pulled high with a pull-up resistor. Calculate the value of R<sub>PWRGD</sub> with this formula:

$$R_{PWRGD} = (X \cdot V_{OUT(NOMINAL)} - 0.4V) / 50\mu A$$

where X is normally in the 85% to 95% range.

A 17µs deglitching filter suppresses false tripping of the PWRGD flag at the rising edge of PWRGD with instant reset. Hysteresis at the R<sub>PWRGD</sub> pin is typically 0.6% on the 0.4V threshold and the 50µA current source.

**SET (Pin 6/Pin 5/Pin 2/Pin 2):** Output Voltage Programming. This pin is the error amplifier's inverting terminal. It regulates to 0.4V and a 50µA current source is connected from SET to GND. Connecting a single resistor from OUT to SET programs output voltage. Calculate the value of the required resistor from the formula:

$$R_{SET} = (V_{OUT} - 0.4V) / 50\mu A$$

Connecting a capacitor in parallel with R<sub>SET</sub> provides output voltage soft-start capability, improves transient response and decreases output voltage noise.

The LT3086 error amplifier design is configured so that the regulator always operates in unity-gain.

**OUT (Pins 7, 8/Pins 6, 7/Pin 3/Pin 3):** Output. These pin(s) supply power to the load. Connect all OUT pins together on the DHD and FE packages for proper operation. Stability requirements demand a minimum 10µF ceramic output capacitor with an ESR less than 100mΩ to prevent oscillations. Large load transients require larger output capacitance to limit peak voltage transients. Permissible

## PIN FUNCTIONS (DFN/TSSOP/DD-Pak/TO-220)

output voltage range is 0.4V to 32V. **The LT3086 requires a 1mA minimum load current to ensure proper regulation and stability.**

**IN (Pins 10, 11/Pins 10, 11/Pin 5/Pin 5):** Input. These pin(s) supply power to the device. Connect all IN pins together on the DHD and FE packages for proper operation. The LT3086 requires a local IN bypass capacitor if it is located more than a few inches from the main input filter capacitor. In general, battery output impedance rises with frequency, so adding a bypass capacitor in battery powered circuits is advisable. A 10μF minimum input capacitor generally suffices. The IN pin(s) withstand a reverse voltage of 45V. The device limits current flow and no negative voltage appears at OUT. The device protects itself and the load against batteries that are plugged in backwards.

**SHDN (Pin 12/Pin 12/Pin 6/Pin 6):** Shutdown/UVLO. Pulling the SHDN pin typically below 1V puts the LT3086 into a low power state and turns the output off. Quiescent current in shutdown is typically less than 1μA. The SHDN pin turn-on threshold is typically 1.22V. This pin may either be used as a shutdown function or as an undervoltage lockout function. If using this pin as an undervoltage lockout function, use a resistor divider between IN and GND with the tap point tied to SHDN. If using the pin as a shutdown function, drive the pin with either logic or an open-collector/drain with a pull-up resistor. The resistor supplies the pull-up current to the open-collector/drain logic, normally several microamperes, and the SHDN pin current, typically less than 10μA at 6V. If unused, connect the SHDN pin to IN.

**TEMP (Pin 13/Pin 13/Pin 7/Pin 7):** Die Junction Temperature. This pin outputs a voltage indicating the LT3086 average die junction temperature. At 25°C, this pin typically outputs 250mV. The TEMP pin slope equals 10mV/°C so that at 125°C, this pin typically outputs 1.25V. This pin does not read temperatures less than 0°C. The TEMP pin is not meant to be an accurate temperature sensor, but is useful for debug, monitoring and calculating thermal resistance of the package mounted to the PCB. The TEMP

pin also incorporates the ability to program a thermal limit temperature lower than the internal typical thermal shutdown temperature of 165°C. Tying a resistor from TEMP to GND programs the thermal limit temperature with a 100μA trip point. Calculate the value of the resistor from the formula:

$$R_{TEMP} = \frac{\left( T_{SHDN} \cdot \frac{10mV}{^{\circ}C} \right)}{100\mu A}$$

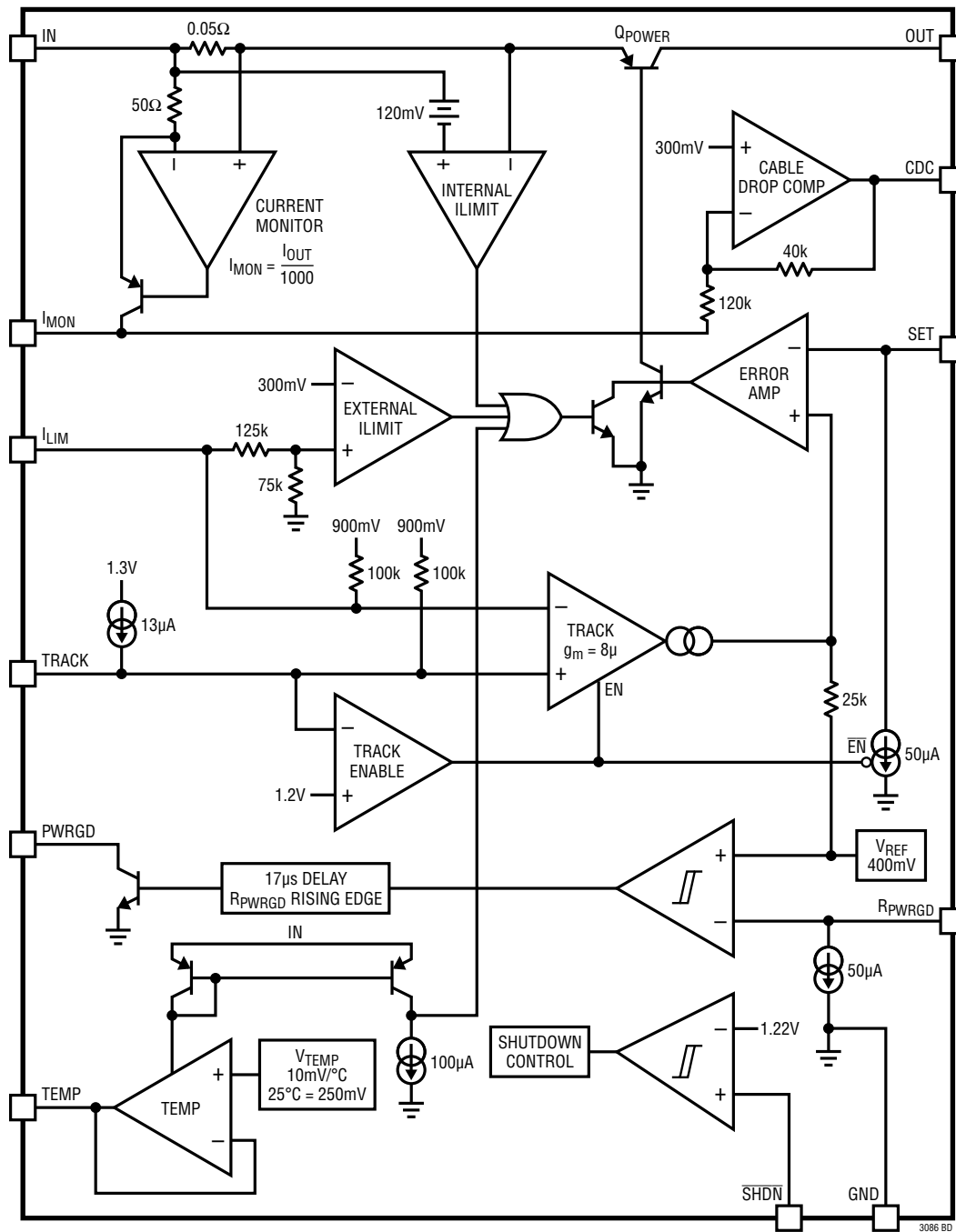
where  $T_{SHDN}$  is the desired die thermal limit temperature.

There are several degrees of hysteresis in the thermal shutdown that cycles the regulator output on and off. Limit the capacitance on the TEMP pin to less than 100pF. To prevent saturation in the TEMP output device, ensure that  $V_{IN}$  is higher than  $V_{TEMP}$  by 250mV.

**TRACK (Pin 14/Pin 14/NA/NA):** Track pin for paralleling. The TRACK pin allows multiple LT3086s to be paralleled in a master/slave(s) configuration for higher output current applications. This also allows heat to be spread out on the PCB. This circuit technique does not require ballast resistors and does not degrade load regulation. Tying the TRACK pin of the slave device(s) to the  $I_{MON}/I_{LIM}$  pins of the master device enables this function. If the TRACK function is unused, TRACK is in a default clamped high state. A TRACK pin voltage below 1.2V on slave device (s) shuts off the internal 50μA reference current at SET such that only the 50μA reference current of the master device is active. All SET pins must be tied together in a master/slave configuration.

**PWRGD (Pin 15/Pin 15/NA/NA):** Power Good Flag. The PWRGD pin is an open-collector logic pin connected to the output of the power good comparator. PWRGD asserts low if the  $R_{PWRGD}$  pin is less than 400mV. The maximum low output level of 200mV over temperature is defined for 200μA of sink current. If  $R_{PWRGD}$  is greater than 400mV, the PWRGD pin de-asserts and becomes high impedance. The PWRGD pin may be pulled to 36V without damaging any internal circuitry regardless of the input voltage.

**BLOCK DIAGRAM**



## APPLICATIONS INFORMATION

The LT3086 is a multifunction, low dropout, low noise, linear regulator with shutdown, and adjustable power good. The device supplies 2.1A with a typical dropout voltage of 330mV and operates over a wide 1.4V to 40V input supply range.

The operating quiescent current is 1.2mA and drops to less than 1µA in shutdown. The LT3086 regulator optimizes stability and transient response with a minimum low ESR 10µF ceramic output capacitor. A single resistor sets the output voltage from 0.4V to 32V. Similarly, a single resistor sets the power good threshold. The regulator typically provides 0.1% line regulation and 0.1% load regulation.

The LT3086 has convenient programmable diagnostic features. An output current monitor, that is typically 1/1000 of the output current, can set the current limit lower than the typical 2.4A internal limit. A temperature monitor, that is typically 10mV/°C where 250mV = 25°C, can set the thermal limit lower than the typical 165°C internal thermal limit.

For applications where the voltage error at the load is caused by the resistance in the connections between the LT3086 and the load, programmable cable drop compensation cancels the error with a single resistor. Multiple LT3086 regulators can be paralleled for higher load currents and heat spreading without the need for external ballast resistors.

During load transients where the output overshoots (regulated output voltages of 0.8V or higher), an internal pull-down current activates pulling about 15mA from the OUT pin to ground. The pull-down current is disabled when the output is at or below regulation. The regulator and the output overshoot pull-down turn off when the output voltage is pulled higher than the input by typically 225mV. Curves of OUT Over IN Shutdown Threshold appear in the Typical Performance Characteristics section.

Internal protection circuitry includes reverse-battery protection, reverse-output protection, reverse-current protection, current limit with foldback and thermal shutdown.

### Programming Output Voltage

The LT3086 has an output voltage range of 0.4 to 32V. The output voltage is programmed with a single resistor,  $R_{SET}$ , connected from OUT to the SET pin, as shown in Figure 1. The SET pin has an internal 50µA current source

to ground that generates a voltage drop across  $R_{SET}$ . The device servos the output to maintain the SET pin voltage at 0.4V referenced to ground. Calculate the output voltage using the formula in Figure 1. Curves of SET Pin Reference Voltage and Current vs Temperature appear in the Typical Performance Characteristics section.

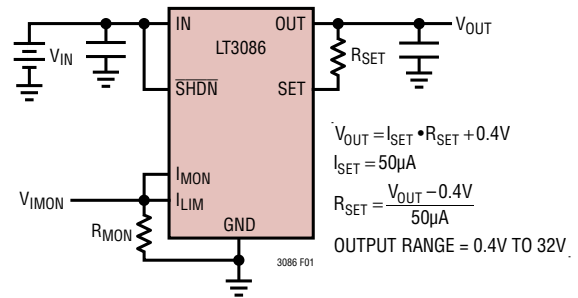


Figure 1. Programming Output Voltage

Table 1. Output Voltage  $R_{SET}$  Values

| $V_{OUT}$ (V) | $R_{SET}$ ( $\Omega$ ) |           |              | $V_{OUT}$ ERROR FOR SINGLE 1% |
|---------------|------------------------|-----------|--------------|-------------------------------|
|               | IDEAL                  | SINGLE 1% | DUAL 1%      |                               |
| 1             | 12k                    | 12.1k     | 11.8k + 200  | 0.5%                          |
| 1.2           | 16k                    | 16.2k     | 15.8k + 200  | 0.8%                          |
| 1.5           | 22k                    | 22.1k     | 21.5k + 511  | 0.3%                          |
| 1.8           | 28k                    | 28k       | N/A          | 0%                            |
| 2             | 32k                    | 32.4      | 31.6k + 383  | 1.0%                          |
| 2.5           | 42k                    | 42.2k     | 41.2k + 825  | 0.4%                          |
| 3.3           | 58k                    | 57.6k     | 57.6k + 383  | -0.6%                         |
| 5             | 92k                    | 90.9k     | 90.9k + 1.1k | -1.1%                         |
| 12            | 232k                   | 232k      | N/A          | 0%                            |

Table 1 shows the nearest 1% resistor values for some common output voltages, along with the output error caused by not using the ideal resistance value. These errors can be as high as 1% because of the 2% spacing between standard 1% resistors. If tighter output tolerance is required, consider using more accurate resistors. Alternatively, the resistance of  $R_{SET}$  can be fine-tuned by adding a low value 1% resistor in series, see Table 1 dual 1% column.

### Programming Power Good

The adjustable power good threshold is programmed with a single resistor,  $R_{PGSET}$ , similar to how the output voltage is programmed by  $R_{SET}$ . Similar to the SET pin,  $R_{PWRGD}$  determines the power good threshold with the



## APPLICATIONS INFORMATION

combination of a 0.4V reference voltage and a precision 50μA pull-down current. The power good signal pulls high if the voltage on R<sub>PWRGD</sub> increases above 0.4V. Built-in hysteresis of typically 0.6% exist for both the 0.4V voltage threshold and the 50μA current source. Connecting a resistor between the RPWRGD and PWRGD pins can increase the power good hysteresis. See the Application circuits for an example.

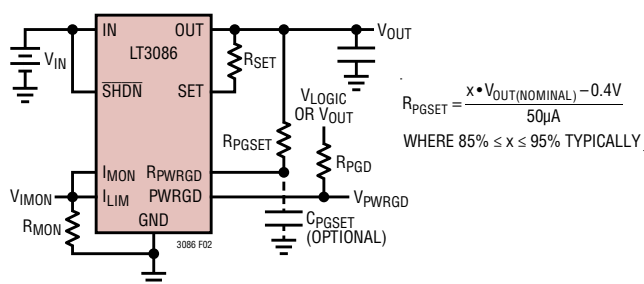


Figure 2. Programming Power Good

The PWRGD pin is the power good open-collector logic output. An internal delay of typically 17μs exists only for the rising edge (when the regulator output voltage rises above the power good threshold) to reject noise or chatter during startup. If the power good function is not needed, leave the R<sub>PWRGD</sub> and PWRGD pins floating.

The power good threshold is typically programmed to 85% to 95% of the regulated output voltage. Due to variations in regulator parameters and resistor variations, it is not practical to set the power good threshold greater than 95% of the output voltage. Account for load transients where the output voltage droops momentarily before recovering. If increasing output capacitance to reduce output voltage undershoot or if setting the power good threshold lower is not possible, a capacitor, C<sub>PGSET</sub>, from R<sub>PWRGD</sub> to ground can filter and delay the output signal. This allows for a configurable deglitching period before the power good threshold trips. For example, consider an application with a nominal 1V output using 10μF of output capacitance and the power good threshold set for 90% of V<sub>OUT(NOMINAL)</sub>. A 1.5A output load current step momentarily undershoots V<sub>OUT</sub> below the 90% threshold for more than 4μs, thus triggering the PWRGD pin to pull low. Using a C<sub>PGSET</sub> of greater than 270pF deglitches the power good comparator and prevents the PWRGD pin from pulling low for undershoot events less than 4μs in duration.

For applications using cable drop compensation and requiring a power good signal, calculate the value of R<sub>PGSET</sub>

based on the voltage at the load rather than the LT3086's output voltage. In order for the power good threshold to be independent of the cable drop compensation's modulation of the LT3086's output voltage as a function of load current, connect a resistor between CDC and R<sub>PWRGD</sub> with the same value as R<sub>CDC</sub>, the resistor between CDC and SET. This technique avoids connecting the R<sub>PGSET</sub> resistor to the load voltage through a long trace/wire and eliminates potential stray signal coupling into the R<sub>PWRGD</sub> pin. See the front page Typical Application circuit as an example.

### Output Voltage Noise and Transient Response

The LT3086 regulator provides low output voltage noise over a 10Hz to 100kHz bandwidth while operating at full load. Output voltage noise is approximately 65nV/√Hz over this frequency bandwidth at the unity gain output voltage of 0.4V at 2.1A.

To lower output voltage noise for higher output voltages, include a feedforward capacitor, C<sub>SET</sub>, from OUT to the SET pin, as shown in Figure 3. A good quality, low leakage capacitor is recommended. This capacitor bypasses the voltage setting resistor, R<sub>SET</sub>, providing a low frequency noise pole. With the use of 10nF for C<sub>SET</sub>, output voltage noise decreases from 280μV<sub>RMS</sub> to 40μV<sub>RMS</sub> at 2.1A when the output voltage is set to 5V.

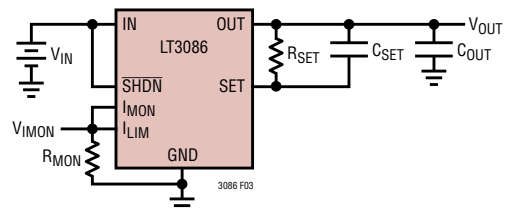


Figure 3. Feedforward Capacitor for Improved Transient Response

Higher values of output voltage noise are often measured if care is not exercised with regard to circuit layout and testing. Crosstalk from nearby active signal traces may induce unwanted noise onto the LT3086's output. Power supply ripple rejection must also be considered. The LT3086 regulator does not have unlimited power supply rejection and will pass a small portion of the input noise to the output.

Using a feedforward capacitor, C<sub>SET</sub>, has the added benefit of improving transient response for output voltages greater than 0.4V. With no feedforward capacitor, the settling time

3086fb

## APPLICATIONS INFORMATION

and output voltage transients increase as the output voltage is set above 0.4V. See Figure 4 and Transient Response curves in the Typical Performance Characteristics section.

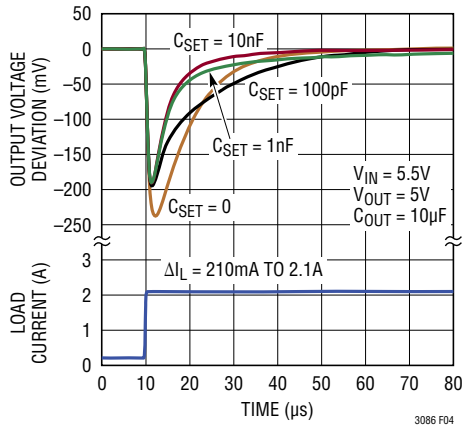


Figure 4. Transient Response vs Feedforward Capacitor

Start-up time is affected by the use of a  $C_{SET}$  feedforward capacitor. Start-up time is directly proportional to the size of the feedforward capacitor and output voltage. Settling time to 1% is approximately:

$$t_{SETTLE} = \frac{4.2 \cdot V_{OUT} \cdot C_{SET}}{50\mu A}$$

See the Start-Up Time vs  $C_{SET}$  curve in the Typical Performance Characteristics section. **If the LT3086 is configured for cable drop compensation, LTC does not recommend using a feedforward capacitor because  $C_{SET}$  filters the CDC correction signal and transient response to load current changes degrades.**

### Output Current Monitor and External Current Limit

Current out of the  $I_{MON}$  pin is typically equal to 1/1000 of the regulator's output current. The output current monitor maintains accuracy across the full input voltage range, even during dropout. A resistor,  $R_{MON}$ , placed from  $I_{MON}$  to ground, sets the voltage scale factor for use with analog-to-digital converters, as shown in Figure 5. For example, with 442Ω for  $R_{MON}$ ,  $V_{IMON}$  is set for 0.663V when  $I_{OUT} = 1.5A$ .

External current limit activates if the voltage on the  $I_{LIM}$  pin exceeds the typical 0.8V threshold. Tying the  $I_{MON}$  and  $I_{LIM}$  pins together allows the user to program a desired current limit based on the output current. An internal cur-

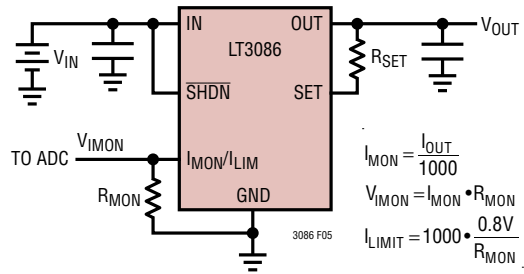


Figure 5. Output Current Monitor and External Current Limit

rent limit, typically 2.4A, is always active and limits output current even if the  $I_{LIM}$  pin is grounded. In addition, internal current limit foldback overrides external current limit if the  $V_{IN} - V_{OUT}$  differential voltage becomes excessive.

Note that the output current monitor represents not just the load current, but the current into the output capacitor as well. During startup and large load transients, the output current monitor indicates the current required to charge the output capacitor in addition to the load current. To prevent external current limit from engaging prematurely, set the external current limit above the maximum load current to allow the output capacitor to recover without being current limited.

For external current limits set for less than 1A, connect a series 1k-10nF RC network from  $I_{LIM}$  to ground to ensure current limit loop stability. Adding an RC network from  $I_{LIM}$  to ground also delays the current monitor signal, allowing output currents higher than the external current limit for a limited duration. This is useful for applications with large output capacitance that would otherwise trigger external current limit during startup and large load transients, slowing output voltage recovery. To guarantee external current limit stability, ensure that the RC network from  $I_{LIM}$  to GND has a capacitor value equal to or greater than 10nF and the resistor value is between  $0.01 \cdot C^{-0.6}$  and 1k. C is the capacitor value in units of farads. LTC does not recommend an RC network other than the 1k-10nF combination if using the cable drop compensation and paralleling functions.

To configure the output current monitor and external current limit correctly, decide on the necessary current limit and full-scale monitor output voltage. Voltage is limited to 0.8V if  $I_{MON}$  is tied to  $I_{LIM}$ . External current limit is typically set 10% to 20% above maximum load current to allow for

3086fb

## APPLICATIONS INFORMATION

large transient events and  $I_{LIM}$  threshold variations. For example, if the maximum load current is 1.5A and both  $I_{MON}$  and  $I_{LIM}$  pins are tied together, an  $R_{MON}$  scaling resistor of 442Ω yields an external current limit of 1.8A.

If higher output current monitor voltages are needed, the DFN package offers the ability to separate the  $I_{MON}$  and  $I_{LIM}$  pins with a resistor, as shown in Figure 6. To prevent saturation in the  $I_{MON}$  output device, choose  $R_{MON}$  so that  $V_{IMON}$  is at least 0.6V less than  $V_{IN}$ . If external current is not needed, ground the  $I_{LIM}$  pin.

Output current monitor accuracy for very low output currents is limited by the offset in the current monitor amplifier and parasitic current paths. The equivalent circuit of the parasitic current paths are shown in Figure 7. With zero output load current, the current into  $R_{MON}$  is typically 11μA when the  $I_{MON}$  and  $I_{LIM}$  pins are tied together. As a result, load currents between 0mA and 11mA typically cannot be measured. See Current Monitor Offset curves in the Typical Performance Characteristics section.

### Load Regulation and Cable Drop Compensation

Output load regulation for the LT3086 is typically 0.1%. Optimal regulation is obtained when the  $R_{SET}$  feedback resistor is connected to the OUT pin of the regulator.

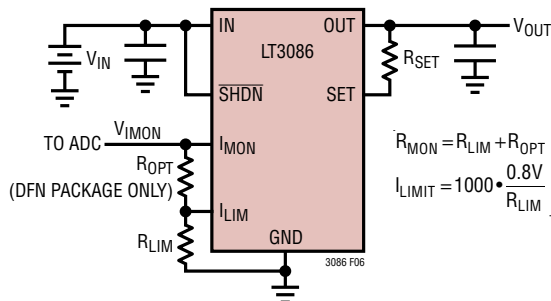


Figure 6. Separate  $I_{MON}$  and  $I_{LIM}$  (DFN Package Only)

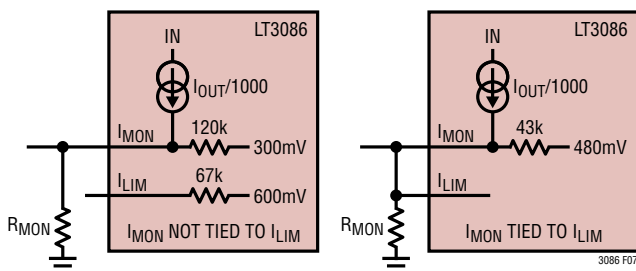


Figure 7. Equivalent Circuits of  $I_{MON}$  and  $I_{LIM}$

high current applications, small voltage drops appear due to the resistances of PCB traces or wires between the regulator and the load. These drops may be eliminated by connecting  $R_{SET}$  directly to the output at the load as shown in Figure 8. Note that the voltage drop across  $R_{OUT}$  and  $R_{RTN}$  add to the dropout voltage of the regulator. The voltage drop across  $R_{GND}$  should also be minimized to reduce output voltage error due to ground pin current. See GND Pin Current curves in the Typical Performance Characteristics section.

The LT3086 has cable drop compensation (CDC) functionality that allows delivery of well regulated voltage to remote loads using only two wires of known fixed resistance. Compensation is user programmed by connecting a resistor,  $R_{CDC}$ , between the SET and CDC pins, as shown in Figure 9.

At zero load current, the CDC pin typically regulates to the same voltage as the SET pin. The voltage decreases at a rate equal to 1/3 of the change in  $I_{MON}$  voltage. For example, if  $V_{IMON}$  increases from 0 to 0.6V,  $V_{CDC}$  decreases

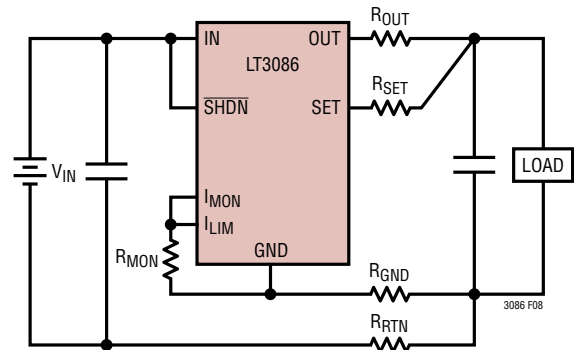


Figure 8. Kelvin Sense Connection

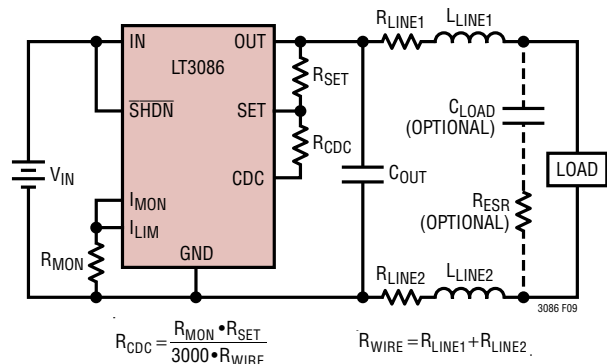


Figure 9. Cable Drop Compensation

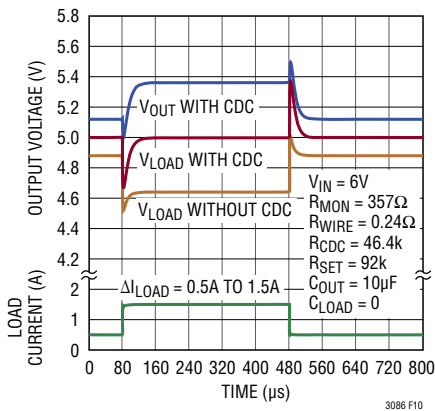
## APPLICATIONS INFORMATION

by 0.2V. As a result, the current that flows through  $R_{CDC}$  is proportional to load current which increases the voltage across  $R_{SET}$ , effectively increasing output voltage.  $R_{CDC}$  is selected using the following equation so that the voltage at the OUT pin increases to cancel the voltage drop in the cables connected to the load.

$$R_{CDC} = \frac{R_{MON} \cdot R_{SET}}{3000 \cdot R_{WIRE}}$$

where  $R_{WIRE}$  is the total resistance of the supply and return cabling connecting the LT3086 to the load.

Figure 10 shows the transient response with cable drop compensation. With compensation, the output voltage at the load remains nearly constant. Note that the transient voltage droop in output voltage is about the same as the voltage droop with no compensation, but with the output voltage returning to the correct compensated voltage.



**Figure 10. Transient Response with Cable Drop Compensation**

If long cables are used, an additional supply bypass capacitor,  $C_{LOAD}$ , should be added directly to the load to handle large load transient conditions.  $C_{OUT}$  must still directly connect to the OUT pin to ensure stable operation of the LT3086, minimizing output capacitor ESR and ESL. Long cables have inductance where a resonance forms between the wire inductance,  $L_{WIRE}$  and  $C_{LOAD}$ . Damping is accomplished by adding series resistance,  $R_{ESR}$ , to  $C_{LOAD}$ . The value of  $R_{ESR}$  is approximately:

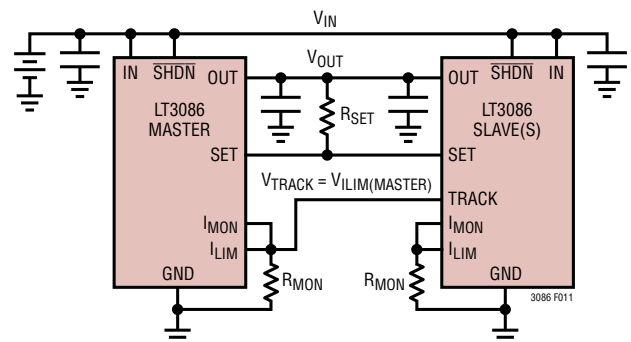
$$R_{ESR} = \sqrt{2 \cdot \frac{L_{WIRE}}{C_{LOAD}}}$$

There are limits to the amount of voltage drop that can be compensated using cable drop compensation. Using cable drop compensation subjects load regulation to the variability of the current monitor voltage output and the cabling resistance. LTC recommends limiting cable drop compensation to 20% of  $V_{OUT}$  for applications needing good regulation. The limiting factor is variations in wire temperature as copper wire resistance changes about 19% for a 50°C temperature change. If output regulation requirements are loose (e.g., when using a secondary regulator), cable drop compensation of up to 50% may be used.

Noise from the current monitor output affects noise seen at the output. Filtering the current monitor output with an RC network from  $I_{LIM}$  to ground is effective at reducing this noise source, especially at light loads. Consult the Output Current Monitor and External Current Limit section for more information

### Paralleling Multiple Regulators

The LT3086 has been specifically designed to make paralleling multiple regulators together easy. Paralleling enables applications to increase total output current and to spread heat dissipated by the regulator over a wider area on the PCB. The parallel scheme is based on a master/slave principle, where one LT3086 is designated as master, and the other regulators act as slaves with active sharing of total load current, as shown in Figure 11. The slave's internal current tracking amplifier compares the current monitor output from the master with the current monitor output seen at the slave's  $I_{LIM}$  pin, and servos the slave's output current to match the master's.



**Figure 11. Master/Slave(s) Configuration for Paralleling**

3086fb

## APPLICATIONS INFORMATION

The master LT3086 is connected exactly the same as a single regulator where its output current monitor voltage seen at its  $I_{LIM}$  pin is used as the common current tracking signal. The slave devices connect this signal to their TRACK pins to make their output current equal to the master's.

The TRACK pin has an internal pull-up current that is typically  $15\mu\text{A}$  at  $0.75\text{V}$ . When the TRACK pin is unused, the pin is pulled up and clamped at  $1.25\text{V}$ , disabling the current tracking amplifier. When the TRACK pin is connected to the master current tracking signal, the TRACK pin voltage is pulled below the  $1.2\text{V}$  threshold, enabling the current tracking amplifier and disabling the slave's  $50\mu\text{A}$  reference current,  $I_{SET}$ . Disabling the reference current ensures that the master is the only device controlling the output voltage. Set the maximum master current tracking signal to less than  $0.8\text{V}$  to prevent external current limit from triggering prematurely. To prevent the slave current tracking amplifier from ever being disabled, the slave TRACK pin must be tied to the master  $I_{LIM}$  pin. The master  $I_{LIM}$  pin has an internal  $1\text{V}$  clamp that is below the slave  $1.2\text{V}$  current tracking amplifier enable threshold.

When multiple slaves are used, a smaller master  $R_{MON}$  resistor should be used to compensate for the pull-up currents from all the TRACK pins of the slaves. For example, a master sourcing  $2.1\text{A}$  typically has  $0.697\text{V}$  at its  $I_{LIM}$  pin with an  $R_{MON}$  resistor of  $332\Omega$ . Referring to the TRACK pin pull-up current curve in the Typical Performance Characteristics, with  $0.697\text{V}$  on the TRACK pin, each slave typically adds  $15\mu\text{A}$  to the master's  $2.1\text{mA}$   $I_{MON}$  output. For an application with 3 slaves connected, decrease  $R_{MON}$ 's value to:

$$R_{MON} = \frac{0.697\text{V}}{[2.1\text{mA} + (3 \cdot 15\mu\text{A})]} = 325\Omega$$

The closest 1% resistor value equals  $324\Omega$ .

All slave regulators must have their SET pins connected to the master SET pin. The TRACK amplifier operates by adjusting the slave internal reference voltage slightly as a function of the difference in master and slave current monitor voltages. This has a strong effect on the slave output current, which forces the slave output current to match the master.

Mismatch between master and slave internal reference voltages and current monitor outputs, offset in the slave TRACK amplifier and TRACK pin pull-up currents all contribute to output current sharing error. In the case of negative offset, a slave runs less current than the master. At very light loads, negative offset enables the slave output overshoot pull-down circuit, forcing the master to supply current to keep the output voltage within regulation. As a result, quiescent current may increase for very light loads in the master/slave configuration.

In some applications, multiple regulators may be spaced some distance apart to optimize heat distribution. That makes the use of low resistance traces important to connect each regulator to the local ground system and to avoid ground loops created by load currents. Ground currents can be as high as  $30\text{mA}$  at  $1.5\text{A}$  and  $50\text{mA}$  at  $2.1\text{A}$ , for each regulator. Limiting differential ground pin voltages to less than  $10\text{mV}$  minimizes tracking errors. Ground trace resistance between master and slaves should be less than  $10\text{mV}/30\text{mA} = 0.33\Omega$  at  $1.5\text{A}$  load, and  $10\text{mV}/50\text{mA} = 0.2\Omega$  for  $2.1\text{A}$  load.

### Output Capacitance

The LT3086 regulator is stable with a wide range of output capacitors. The ESR of the output capacitor affects stability, most notably with small capacitors. Use a minimum output capacitor of  $10\mu\text{F}$  with an ESR of  $0.1\Omega$  or less to prevent oscillations. The output load transient response is a function of output capacitance. Larger values of output capacitance decrease the peak deviations and provide improved transient response for larger load current changes. For applications with large load current transients, a low ESR ceramic capacitor in parallel with a bulk tantalum capacitor often provides an optimally damped response. For example, a  $47\mu\text{F}$  tantalum capacitor with  $\text{ESR} = 0.1\Omega$  in parallel with the  $10\mu\text{F}$  ceramic capacitor with  $\text{ESR} < 0.01\Omega$  reduces output deviation by about 2:1 for large transient loads and increases loop phase margin.

Give extra consideration to the use of ceramic capacitors. Manufacturers make ceramic capacitors with a variety of dielectrics, each with different behavior across temperature and applied voltage. The most common dielectrics are specified with EIA temperature characteristic codes of Z5U, Y5V, X5R and X7R. The Z5U and Y5V dielectrics

3086fb

## APPLICATIONS INFORMATION

provide high C-V products in a small package at low cost, but exhibit strong voltage and temperature coefficients, as shown in Figures 12 and 13. When used with a 5V regulator, a 16V 10 $\mu$ F Y5V capacitor can exhibit an effective value as low as 1 $\mu$ F to 2 $\mu$ F for the DC bias voltage applied, and over the operating temperature range. The X5R and X7R dielectrics yield much more stable characteristics and are more suitable for use as the output capacitor.

The X7R type works over a wider temperature range and has better temperature stability, while the X5R is less expensive and is available in higher values. Care still must be exercised when using X5R and X7R capacitors; the X5R and X7R codes only specify operating temperature range and maximum capacitance change over temperature. Capacitance changes due to DC bias is less with X5R and X7R capacitors, but can still be significant enough to drop capacitor values below appropriate levels. Capacitor DC

bias characteristics tend to improve as component case size increases, but expected capacitance at operating voltage should be verified.

Voltage and temperature coefficients are not the only sources of problems. Some ceramic capacitors have a piezoelectric response. A piezoelectric device generates voltage across its terminals due to mechanical stress, similar to the way a piezoelectric accelerometer or microphone works. For a ceramic capacitor, the stress is induced by vibrations in the system or thermal transients. The resulting voltages produced can cause appreciable amounts of noise.

### Input Capacitance

Low ESR ceramic input bypass capacitors are acceptable for applications with short input and ground leads. However, applications connecting a power supply to the LT3086 using long wires are prone to voltage spikes, reliability concerns and application-specific board oscillations.

The input wire inductance found in many battery-powered applications, combined with the low ESR ceramic capacitor, forms a high-Q LC resonant tank circuit. In some instances this resonant frequency beats against the output current dependent LDO bandwidth and interferes with proper operation. Simple circuit modifications are then required. This behavior is not indicative of LT3086 instability, but is a common application issue.

The self-inductance, or isolated inductance, of a wire is directly proportional to its length. Wire diameter is not a major factor on its self-inductance. For example, the self-inductance of a 2-AWG isolated wire (diameter = 0.26") is about half the self-inductance of a 30-AWG wire (diameter = 0.01"). One foot of 30-AWG wire has approximately 465nH of self-inductance. Two methods can reduce wire self-inductance. One method divides the current flowing towards the LT3086 between two parallel conductors. In this case, the farther apart the wires are from each other, the more the self-inductance is reduced; up to a 50% reduction when placed a few inches apart. Splitting the wires connects two equal inductors in parallel, but placing them in close proximity creates mutual inductance adding to the self-inductance. The second and most effective way to reduce overall inductance is to place both forward

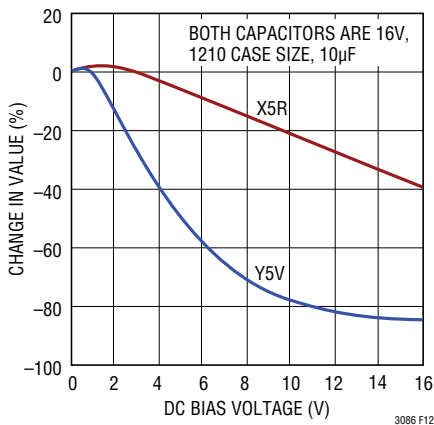


Figure 12. Ceramic Capacitor DC Bias Characteristics

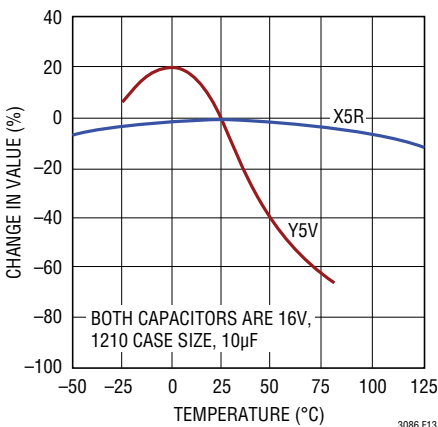


Figure 13. Ceramic Capacitor Temperature Characteristics

3086fb

## APPLICATIONS INFORMATION

and return current conductors (the input and GND wires) in very close proximity. Two 30-AWG wires separated by only 0.02", used as forward- and return-current conductors, reduce the overall self-inductance to approximately one-fifth that of a single isolated wire.

If a battery, mounted in close proximity, powers the LT3086, a 10 $\mu$ F input capacitor suffices for stability. However, if a distant supply powers the LT3086, use a larger value input capacitor. Use a rough guideline of 1 $\mu$ F (in addition to the 10 $\mu$ F minimum) per 8 inches of wire length. The minimum input capacitance needed to stabilize the application also varies with power supply output impedance variations. Placing additional capacitance on the LT3086's output also helps. However, this requires an order of magnitude more capacitance in comparison with additional LT3086 input bypassing. Series resistance between the supply and the LT3086 input also helps stabilize the application; as little as 0.1 $\Omega$  to 0.5 $\Omega$  suffices. This impedance dampens the LC tank circuit at the expense of dropout voltage. A better alternative is to add additional input capacitance with higher ESR at the input, such as tantalum or electrolytic capacitors, or by adding resistance in series with a low ESR ceramic capacitor.

### Overload Recovery

Like many IC power regulators, the LT3086 has safe operating area protection. The safe operating area protection decreases current limit as input-to-output voltage increases, and keeps the power transistor inside a safe operating region for all values of input-to-output voltage. The LT3086 provides some output current at all values of input-to-output voltage up to the specified 45V operational maximum. Current limit foldback overrides external current limit (if used) if  $V_{IN} - V_{OUT}$  voltage differential becomes excessive.

When power is first applied, the input voltage rises and the output follows the input; allowing the regulator to start-up into very heavy loads. During start-up, as the input voltage is rising, the input-to-output voltage differential is small, allowing the regulator to supply large output currents. With a high input voltage, a problem can occur wherein the removal of an output short will not allow the output to recover. Other regulators, such as the LT1083/LT1084/LT1085 family and LT1764A also exhibit this phenomenon,

so it is not unique to the LT3086. The problem occurs with a heavy output load when the input voltage is high and the output voltage is low. Common situations are immediately after the removal of a short-circuit or if the shutdown pin is pulled high after the input voltage is already turned on. The load line intersects the output current curve at two points creating two stable output operating points for the regulator. With this double intersection, the input power supply needs to be cycled down to zero and brought up again for the output to recover.

### Thermal Considerations

The power handling capability of the LT3086 is limited by the maximum rated junction temperature (125°C for LT3086E, LT3086I, LT3086MP or 150°C for LT3086H). Three components comprise the power dissipated by the device:

1. Output current multiplied by the input/output voltage differential:  

$$I_{OUT} \cdot (V_{IN} - V_{OUT}),$$
2. GND pin current multiplied by the input voltage:  

$$I_{GND} \cdot V_{IN},$$
 and
3. Current monitor current multiplied by the input/current monitor voltage differential:  

$$I_{MON} \cdot (V_{IN} - V_{IMON})$$

GND pin current is determined using the GND Pin Current curves in the Typical Performance Characteristics section. Power dissipation equals the sum of the three components listed above.

The LT3086 regulator has internal thermal limiting that protects the device during overload conditions. For continuous normal conditions, the maximum junction temperature of 125°C (E-grade, I-grade, MP-grade) or 150°C (H-grade) must not be exceeded. Carefully consider all sources of thermal resistance from junction-to-ambient including other heat sources mounted in proximity to the LT3086.

The underside of the LT3086 DFN and TSSOP packages have exposed metal (10.5mm<sup>2</sup>) from the lead to the die attachment. These packages allow heat to directly transfer from the die junction to the printed circuit board metal. The dual-in-line pin arrangement allows metal to extend

3086fb

## APPLICATIONS INFORMATION

beyond the ends of the package on the topside (component side) of a PCB. Connect this metal to GND on the PCB. The multiple IN and OUT pins of the LT3086 also assist in spreading heat to the PCB.

For surface mount devices, heat sinking is accomplished by using the heat spreading capabilities of the PC board and its copper traces. Copper board stiffeners and plated through-holes also can spread the heat generated by power devices.

Tables 2 and 3 list thermal resistance for several topside copper areas on a fixed board size. All measurements were taken in still air on a 4-layer FR-4 board with 1oz solid internal planes and 2oz top/bottom external trace planes with a total board thickness of 1.6mm. The four layers were electrically isolated with no thermal vias present. Achieving low thermal resistance necessitates attention to detail and careful PCB layout. For more information on thermal resistance and high thermal conductivity test boards, refer to JEDEC standard JESD51, notably JESD51-12 and JESD51-7. The use of thermal vias, increased copper weight, and air flow, will improve the resultant thermal resistance.

**Table 2. Measured Thermal Resistance for DHD and FE Package**

| COPPER AREA                 |                             | BOARD AREA (mm <sup>2</sup> ) | THERMAL RESISTANCE (JUNCTION-TO-AMBIENT) |
|-----------------------------|-----------------------------|-------------------------------|--|
| TOPSIDE* (mm <sup>2</sup> ) | BACKSIDE (mm <sup>2</sup> ) |                               |  |
| 2500                        | 2500                        | 2500                          | 25°C/W                                   |
| 1000                        | 2500                        | 2500                          | 26°C/W                                   |
| 225                         | 2500                        | 2500                          | 28°C/W                                   |
| 100                         | 2500                        | 2500                          | 33°C/W                                   |

\*Device is mounted on topside

**Table 3. Measured Thermal Resistance for R Package**

| COPPER AREA                 |                             | BOARD AREA (mm <sup>2</sup> ) | THERMAL RESISTANCE (JUNCTION-TO-AMBIENT) |
|-----------------------------|-----------------------------|-------------------------------|--|
| TOPSIDE* (mm <sup>2</sup> ) | BACKSIDE (mm <sup>2</sup> ) |                               |  |
| 2500                        | 2500                        | 2500                          | 15°C/W                                   |
| 1000                        | 2500                        | 2500                          | 16°C/W                                   |
| 225                         | 2500                        | 2500                          | 19°C/W                                   |

\*Device is mounted on topside

### Measured Thermal Resistance for T7 Package

Thermal resistance (junction-to-case) = 3°C/W.

The LT3086 has the ability to check thermal performance by observing the output current and temperature monitor pins. The effects of heat sinking, the enclosure, and any air movement can be instantly analyzed without special instrumentation.

### Calculating Junction Temperature

Example: Given an output voltage of 5V, an input voltage range of 6V ±5%, a maximum output current range of 1A with 698Ω for R<sub>MON</sub>, and a maximum ambient temperature of 75°C, what will the maximum junction temperature be?

The power dissipated by the device equals:

$$I_{OUT(MAX)} \cdot (V_{IN(MAX)} - V_{OUT}) + I_{GND} \cdot V_{IN(MAX)} + I_{MON(MAX)} \cdot (V_{IN(MAX)} - V_{IMON(MAX)})$$

where,

$$I_{OUT(MAX)} = 1A$$

$$V_{IN(MAX)} = 6.3V$$

$$I_{GND} \text{ at } (I_{OUT} = 1A, V_{IN} = 6.3V) = 11mA$$

$$V_{IMON} \text{ at } (I_{OUT} = 1A, R_{MON} = 698\Omega) = 0.698V$$

So:

$$P = 1A \cdot (6.3V - 5V) + 11mA \cdot 6.3V + 1mA \cdot (6.3V - 0.698V) = 1.38W$$

Using a DFN package, the thermal resistance will be in the range of 25°C/W to 33°C/W depending on the topside copper area. So the junction temperature rise above ambient approximately equals:

$$1.38W \cdot 30°C/W = 41.4°C$$

The maximum junction temperature equals the maximum ambient temperature plus the maximum junction temperature rise above ambient or:

$$T_{JMAX} = 75°C + 41.4°C = 116.4°C$$

### Protection Features

The LT3086 regulator incorporates several protection features that make it ideal for use in battery-powered circuits. In addition to the normal protection features



## APPLICATIONS INFORMATION

associated with monolithic regulators, such as current limiting and thermal limiting, the devices also protect against reverse-input voltages, reverse-output voltages, and reverse-output-to-input voltages.

Current limit protection and thermal overload protection protect the device against current overload conditions at the output of the device. The typical thermal shutdown temperature is 165°C and incorporates about 7°C of hysteresis. For normal operation, do not exceed the maximum rated junction temperature of 125°C (LT3086E, LT3086I, LT3086MP) or 150°C (LT3086H).

The LT3086 IN pin withstands reverse voltages of 45V. The device limits current flow to less than 2mA (typically less than 1µA) and no negative voltage appears at OUT. The device protects both itself and the load against batteries that are plugged in backwards.

The LT3086 incurs no damage if its output is pulled below ground. If the input is left open-circuit or grounded, the output can be pulled below ground by 36V. No current flows through the pass transistor from the output. However, current flows in (but is limited by) the feedback resistors  $R_{SET}$ , that sets the output voltage, and  $R_{RPWRGD}$ , that sets the power good threshold. Current flows from the internal clamps in the SET and  $R_{RPWRGD}$  pins to the external circuitry pulling OUT below ground. If the input is powered by a voltage source, the device protects itself by turning off the power device when the internal clamps activate. If Schottky diodes are used to prevent the SET and  $R_{RPWRGD}$  pins from activating their internal clamps, the output sources current equal to its current limit capability and the LT3086 protects itself by thermal limiting. In this case, grounding the  $\overline{SHDN}$  pin turns off the device and stops the output from sourcing current. Reverse current flow follows the curve shown in Figure 14.

The LT3086 incurs no damage if the SET and  $R_{RPWRGD}$  pins are pulled above ground up to 36V. If the input is left open-circuit or grounded, the SET pin performs like a large resistor (typically 80k) in series with a diode.

In circuits where a secondary supply raises the output voltage above the regulated voltage set by  $R_{SET}$ , the output overshoot circuitry pulls current from the output pin to ground as long as the output voltage is below the input voltage. Output overshoot current follows the curve shown

in Figure 15. When the output voltage is pulled above the input by typically 225mV, the LT3086 shuts down as shown in Figure 16 and the 15mA overshoot pull-down current source turns off.

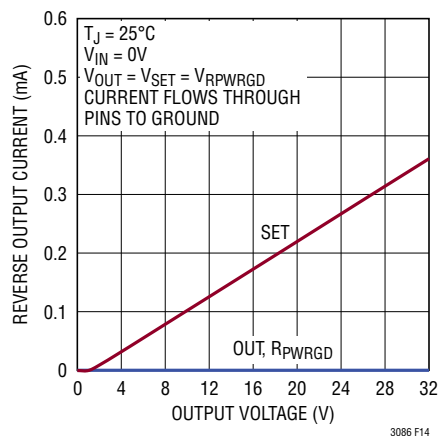


Figure 14. Reverse-Output Current

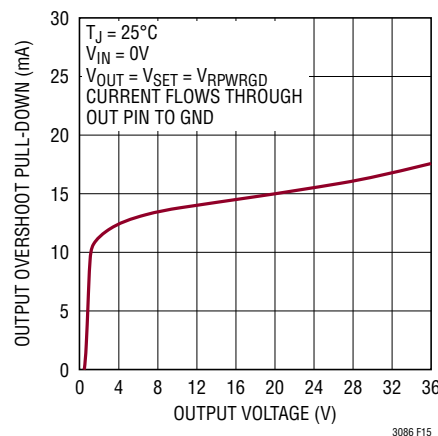


Figure 15. Output Overshoot Pull-Down Current

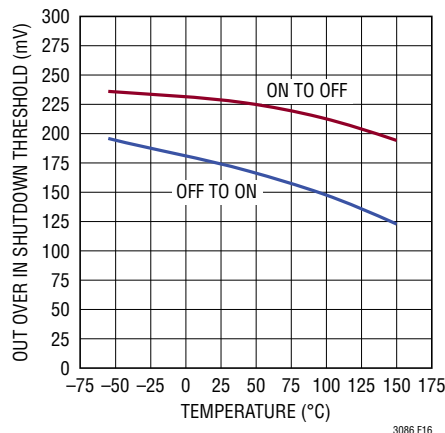
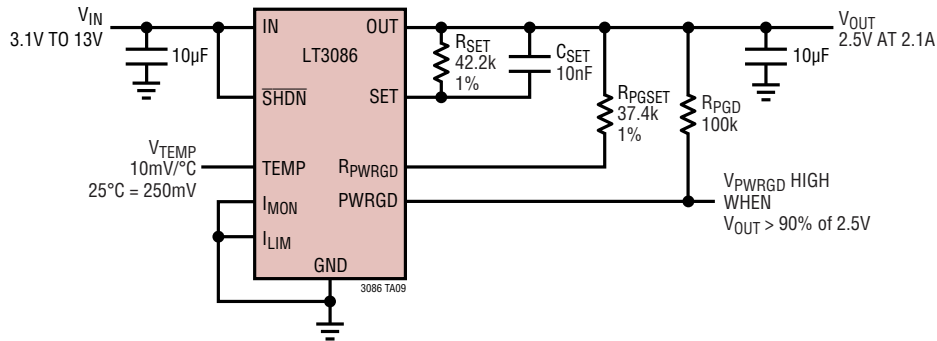


Figure 16. OUT Over IN Shutdown Threshold

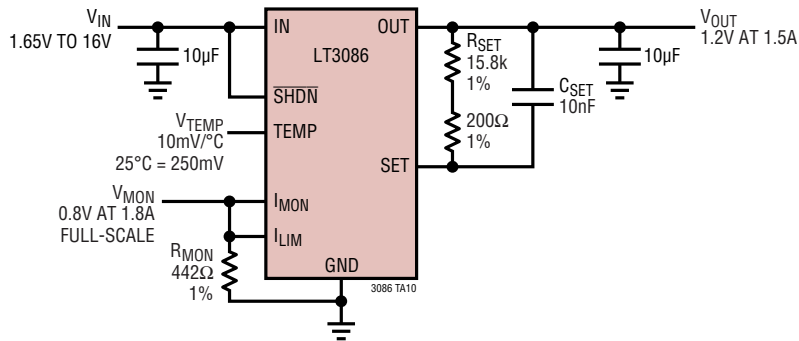
3086fb

## TYPICAL APPLICATIONS

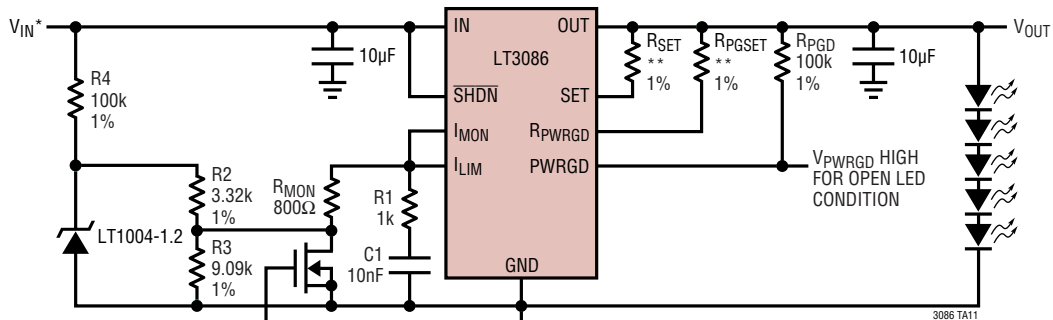
### 2.5V Low Noise Regulator with Power Good



### 1.2V, 1.5A Low Noise Regulator with 1.8A External Current Limit



### 5 White LED Driver with PWM Dimming and LED Open Detection



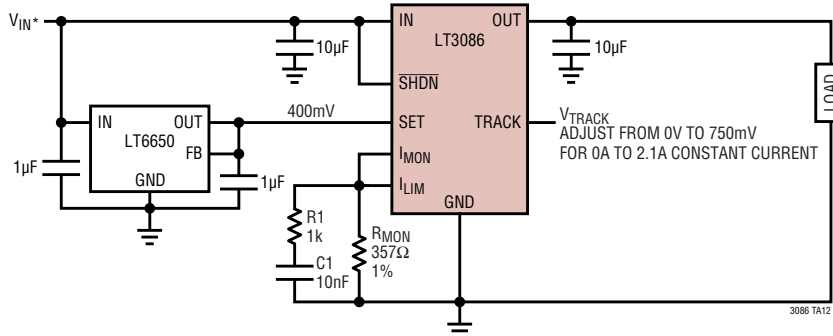
NOTE: ADJUST  $R_{MON}$  TO SET MAXIMUM LED CURRENT (SET TO 800Ω FOR 1A)  
DRIVE PWM LOW TO TURN OFF LED STRING (PULSE TO DIM)

\*INPUT VOLTAGE REQUIRED IS DEPENDENT ON THE LED STRING VOLTAGE

\*\*CHOOSE  $R_{SET}$  AND  $R_{PGSET}$  BASED ON LED STRING

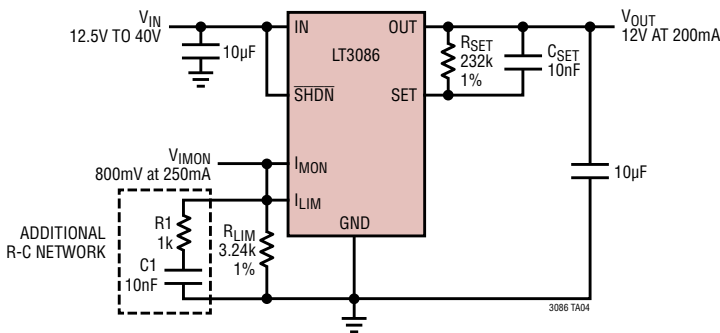
# TYPICAL APPLICATIONS

## Adjustable Voltage Controlled Current Source

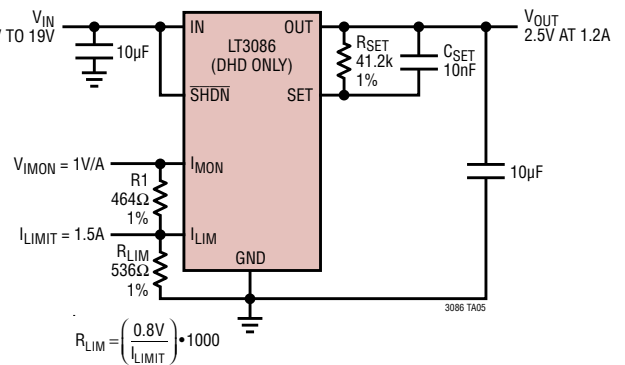


\*RESTRICT INPUT VOLTAGE RANGE TO LIMIT POWER DISSIPATION AND PREVENT FOLDBACK CURRENT LIMIT FROM INTERFERING WITH PROPER OPERATION

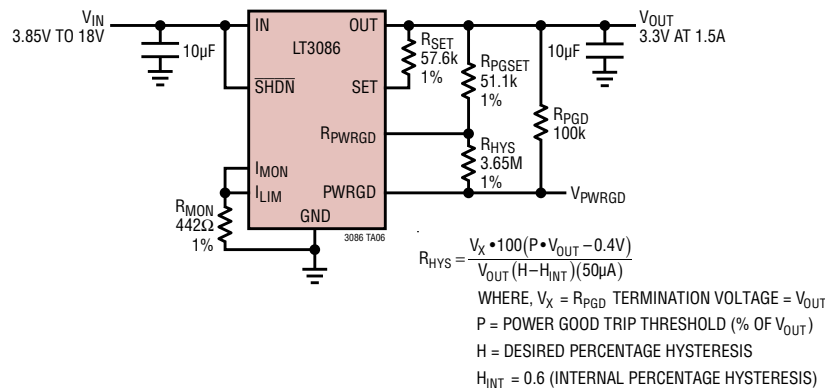
## Ensuring External Current Limit Stability for $I_{LIM} \leq 1A$



## Increasing Current Monitor Output Voltage

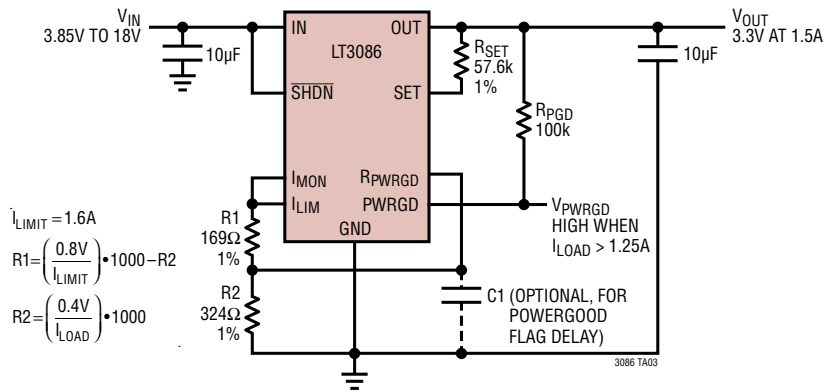


## Increasing Power Good Hysteresis (Ex: 2%)

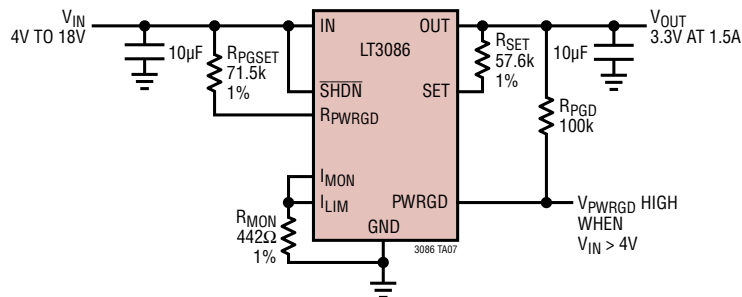


## TYPICAL APPLICATIONS

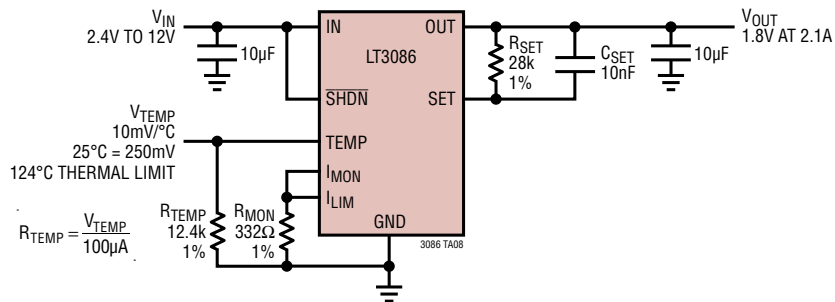
### Load Current Monitoring Using Power Good



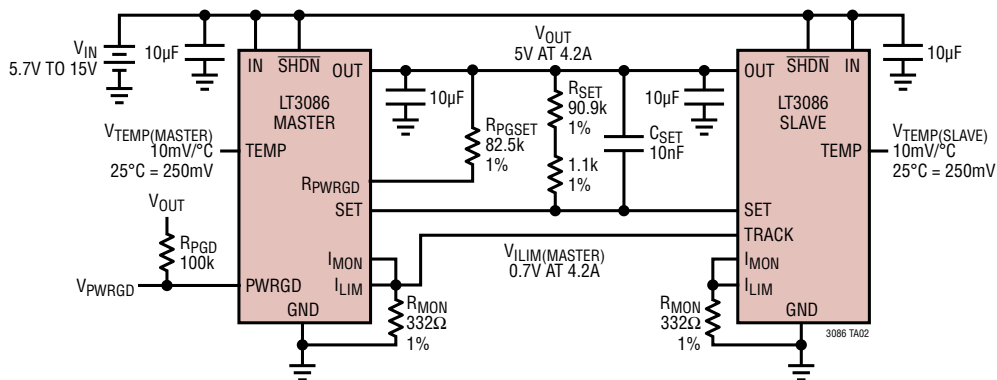
### Input Undervoltage Detector Using Power Good



### Programming Thermal Limit Temperature



### Paralleling Two Regulators for 5V, 4.2A

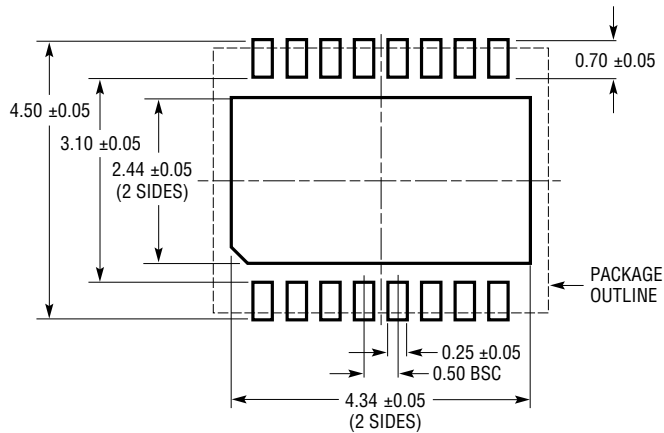


3086fb

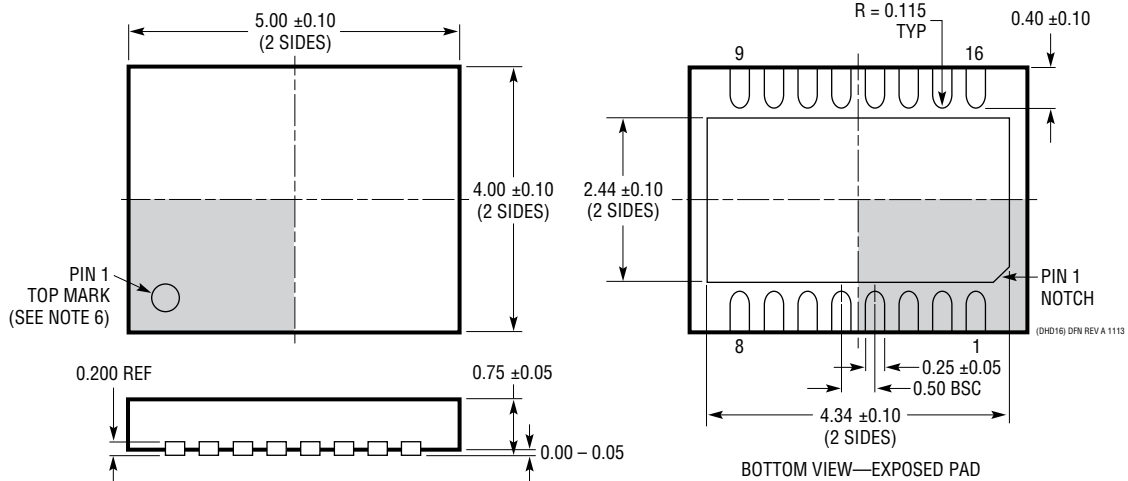
# PACKAGE DESCRIPTION

Please refer to <http://www.linear.com/product/LT3086#packaging> for the most recent package drawings.

## DHD Package 16-Lead Plastic DFN (5mm × 4mm) (Reference LTC DWG # 05-08-1707 Rev A)



RECOMMENDED SOLDER PAD PITCH AND DIMENSIONS



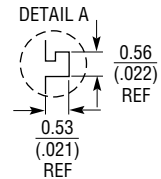
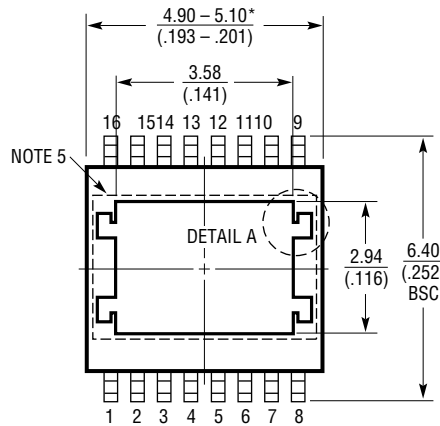
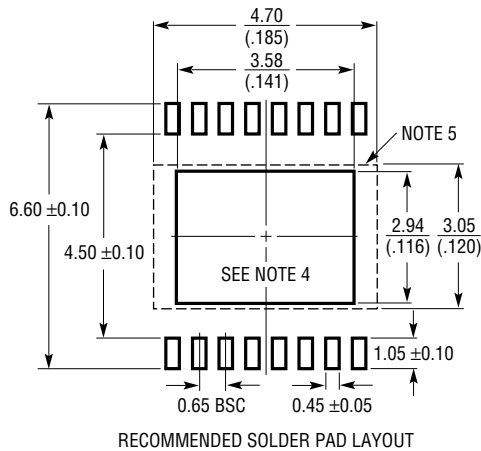
NOTE:

1. DRAWING PROPOSED TO BE MADE VARIATION OF VERSION (WJGD-2) IN JEDEC PACKAGE OUTLINE MO-229
2. DRAWING NOT TO SCALE
3. ALL DIMENSIONS ARE IN MILLIMETERS
4. DIMENSIONS OF EXPOSED PAD ON BOTTOM OF PACKAGE DO NOT INCLUDE MOLD FLASH. MOLD FLASH, IF PRESENT, SHALL NOT EXCEED 0.15mm ON ANY SIDE
5. EXPOSED PAD SHALL BE SOLDER PLATED
6. SHADED AREA IS ONLY A REFERENCE FOR PIN 1 LOCATION ON THE TOP AND BOTTOM OF PACKAGE

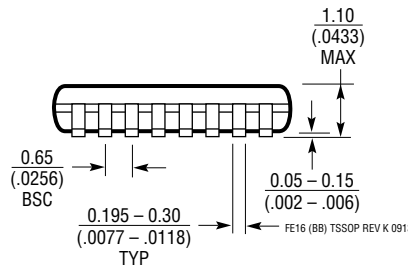
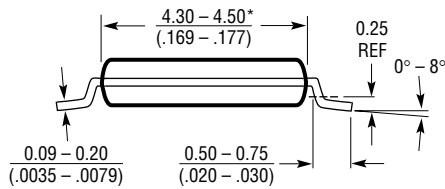
# PACKAGE DESCRIPTION

Please refer to <http://www.linear.com/product/LT3086#packaging> for the most recent package drawings.

**FE Package**  
**16-Lead Plastic TSSOP (4.4mm)**  
 (Reference LTC DWG # 05-08-1663 Rev K)  
**Exposed Pad Variation BB**



DETAIL A IS THE PART OF THE LEAD FRAME FEATURE FOR REFERENCE ONLY  
**NO MEASUREMENT PURPOSE**



**NOTE:**

1. CONTROLLING DIMENSION: MILLIMETERS
2. DIMENSIONS ARE IN MILLIMETERS (INCHES)
3. DRAWING NOT TO SCALE
4. RECOMMENDED MINIMUM PCB METAL SIZE FOR EXPOSED PAD ATTACHMENT

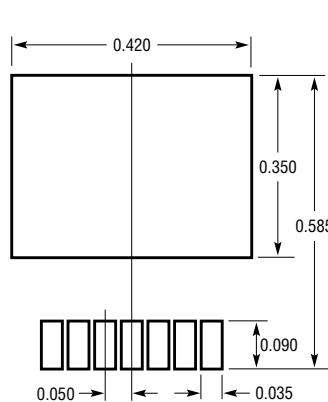
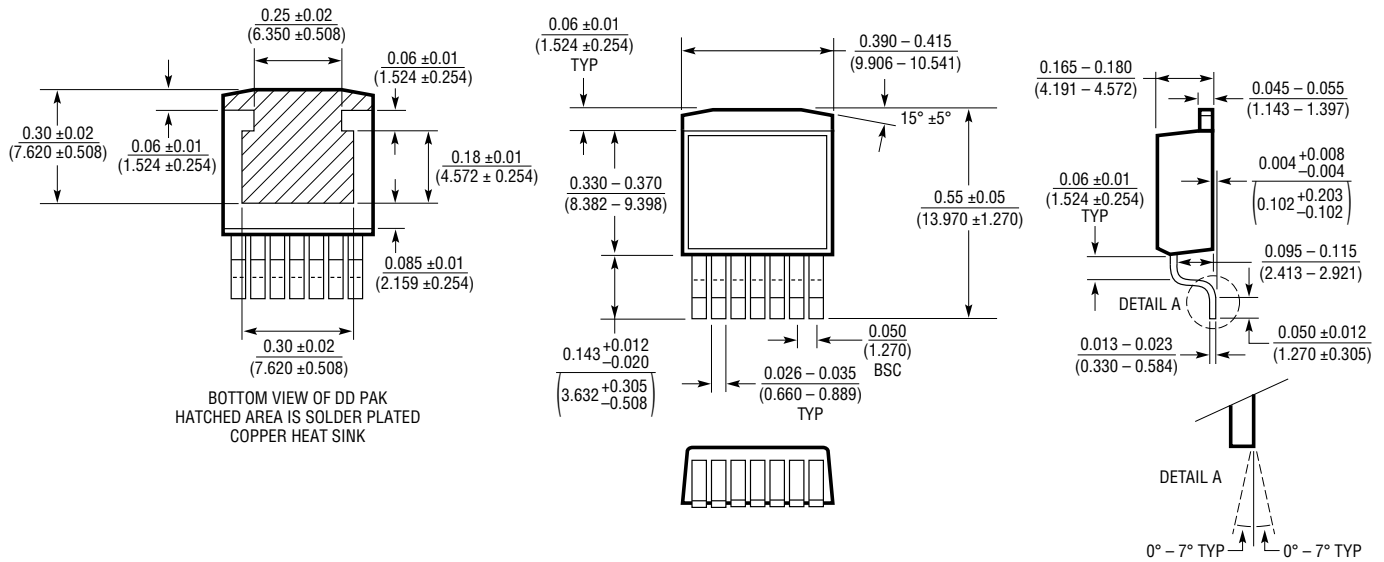
5. BOTTOM EXPOSED PADDLE MAY HAVE METAL PROTRUSION IN THIS AREA. THIS REGION MUST BE FREE OF ANY EXPOSED TRACES OR VIAS ON PBC LAYOUT

\*DIMENSIONS DO NOT INCLUDE MOLD FLASH. MOLD FLASH SHALL NOT EXCEED 0.150mm (.006") PER SIDE

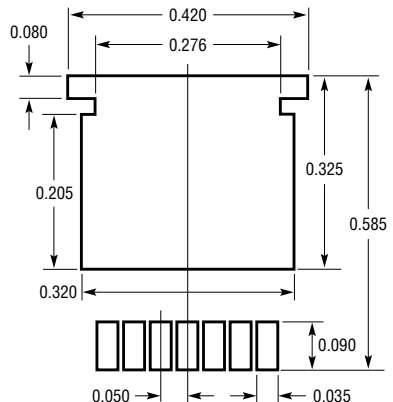
# PACKAGE DESCRIPTION

Please refer to <http://www.linear.com/product/LT3086#packaging> for the most recent package drawings.

## R Package 7-Lead Plastic DD Pak (Reference LTC DWG # 05-08-1462 Rev G)



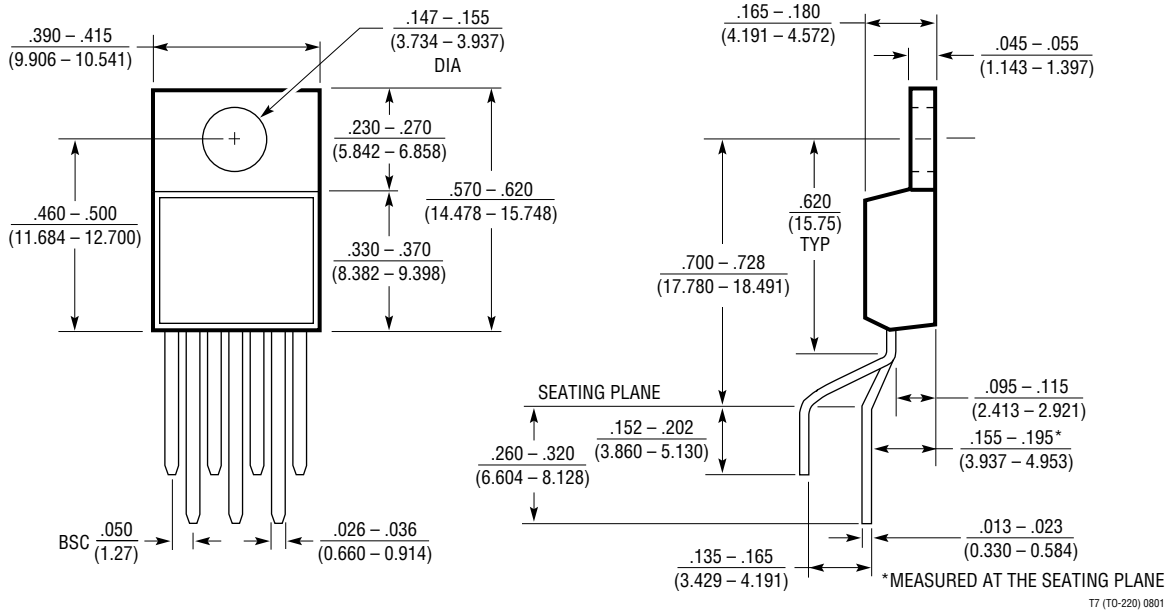
RECOMMENDED SOLDER PAD LAYOUT  
 NOTE:  
 1. DIMENSIONS IN INCH/(MILLIMETER)  
 2. DRAWING NOT TO SCALE



## PACKAGE DESCRIPTION

Please refer to <http://www.linear.com/product/LT3086#packaging> for the most recent package drawings.

### T7 Package 7-Lead Plastic TO-220 (Standard) (Reference LTC DWG # 05-08-1422)



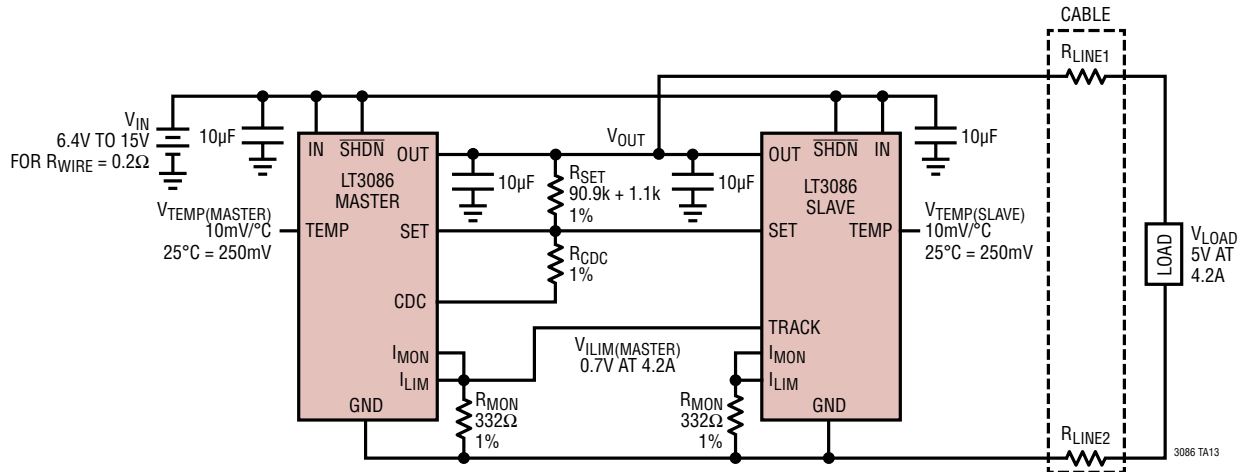


## REVISION HISTORY

| REV | DATE | DESCRIPTION  | PAGE NUMBER    |
|-----|------|--|----------------|
| A   | 6/14 | Added MP-grade for TSSOP, DD-Pak, and TO-220 packages  | 2 to 4         |
|     |      | Added EC Table line item for Minimum Load Current and Note 16  | 3, 5           |
|     |      | Added and modified two GND Pin Current curves, two PSRR at 1A curves, two Line Regulation curves and modified V <sub>OUT</sub> Noise curve | 7 to 12        |
|     |      | Updated Thermal Resistance for DHD, FE and R packages  | 2, 24          |
|     |      | Updated DHD Package Description  | 29             |
| B   | 8/16 | Added H-grade for TSSOP package  | 2 to 5, 23, 25 |

## TYPICAL APPLICATION

### Paralleling Two Regulators for 5V, 4.2A with Cable Drop Compensation (CDC)



$$R_{CDC} = \frac{R_{MON} \cdot R_{SET}}{(X+1) \cdot 3000 \cdot R_{WIRE}}$$

$$R_{WIRE} = R_{LINE1} + R_{LINE2}$$

WHERE X = NUMBER OF SLAVES

## RELATED PARTS

| PART NUMBER   | DESCRIPTION  | COMMENTS   |
|---|--|--|
| <a href="#">LT1764/</a><br><a href="#">LT1764A</a>  | 3A, Fast Transient Response, Low Noise LDO   | 340mV Dropout Voltage, Low Noise: 40µVRMS, VIN: 2.7V to 20V, TO-220 and DD Packages, -A Version Stable Also with Ceramic Capacitors  |
| <a href="#">LT1963/</a><br><a href="#">LT1963A</a>  | 1.5A, Low Noise, Fast Transient Response LDO   | 340mV Dropout Voltage, Low Noise: 40µVRMS, VIN: 2.5V to 20V, -A Version Stable with Ceramic Capacitors, TO-220, DD-Pak, SOT-223 and SO-8 Packages  |
| <a href="#">LT1965</a>                              | 1.1A, Low Noise, Low Dropout Linear Regulator  | 310mV Dropout Voltage, Low Noise: 40µVRMS, VIN: 1.8V to 20V, VOUT: 1.2V to 19.5V, Stable with Ceramic Capacitors, TO-220, DD-Pak, MSOP and 3mm × 3mm DFN Packages  |
| <a href="#">LT3022</a>                              | 1A, Low Voltage VLDO Linear Regulator  | 145mV Dropout Voltage, VIN: 0.9V to 10V, VOUT: 0.2V to 9.5V, Stable with Low ESR, Ceramic Output Capacitors, 16-Pin DFN (5mm × 3mm) and 16-Lead MSOP Packages  |
| <a href="#">LT3070</a>                              | 5A, Low Noise, Programmable VOUT, 85mV Dropout Linear Regulator with Digital Margining | 85mV Dropout Voltage, Digitally Programmable VOUT: 0.8V to 1.8V, Digital Output Margining: ±1%, ±3% or ±5%, Low Output Noise: 25µVRMS; Directly Parallelable, Stable with Low ESR Ceramic Output Capacitors (15µF Minimum), 28-Lead 4mm × 5mm QFN Package  |
| <a href="#">LT3071</a>                              | 5A, Low Noise, Programmable VOUT, 85mV Dropout Linear Regulator with Analog Margining  | 85mV Dropout Voltage, Digitally Programmable VOUT: 0.8V to 1.8V, Analog Margining: ±10%, Low Output Noise: 25µVRMS; Directly Parallelable, IMON Output Current Monitor, Stable with Low ESR Ceramic Output Capacitors (15µF Minimum), 28-Lead 4mm × 5mm QFN Package  |
| <a href="#">LT3080/</a><br><a href="#">LT3080-1</a> | 1.1A, Parallelable, Low Noise, Low Dropout Linear Regulator                            | 300mV Dropout Voltage (2-Supply Operation), Low Noise: 40µVRMS, VIN: 1.2V to 36V, VOUT: 0V to 35.7V, Current-Based Reference with 1-Resistor VOUT Set; Directly Parallelable (No Op Amp Required), Stable with Ceramic Capacitors; TO-220, DD-Pak, SOT-223, MSOP and 3mm × 3mm DFN-8 Packages; -1 Version Has Integrated Internal Ballast Resistor |
| <a href="#">LT3081</a>                              | 1.5A, Single Resistor Rugged Linear Regulator with Monitors                            | Extended Safe Operating Area, VIN: 1.2V to 36V, VOUT: 0V to 34.5V, Current-Based Reference, Programmable Current Limit, Output Current and Temperature Monitors  |
| <a href="#">LT3083</a>                              | 3A, Parallelable, Low Noise, Low Dropout Linear Regulator                              | 310mV Dropout Voltage (2-Supply Operation), Low Noise: 40µVRMS, VIN: 1.2V to 23V, VOUT: 0V to 22.6V, Current-Based Reference with 1-Resistor VOUT Set, Directly Parallelable (No Op Amp Required), Stable with Ceramic Capacitors; TO-220, DD-Pak, TSSOP, 4mm × 4mm DFN-12 Packages  |
| <a href="#">LT3085</a>                              | 500mA, Parallelable, Low Noise, Low Dropout Linear Regulator                           | 275mV Dropout (2-Supply Operation), Low Noise: 40µVRMS, VIN: 1.2V to 36V, VOUT: 0V to 35.7V, Current-Based Reference with 1-Resistor VOUT Set, Directly Parallelable (No Op Amp Required), Stable with Ceramic Capacitors; MS8E and 2mm × 3mm DFN-6 Packages   |

3086fb