

General EMI Filter with High Attenuation Performance

Dual-Stage General Purpose EMI Filter AMI-26 Series



- Rated current from 1 to 30 A
- Dual-stage filter
- High differential mode performance
- Optional medical version (Type B)
- Optional safety version (Type A)

Approvals:



Technical Specifications

Maximum continuous operating voltage: 250VAC, 50/60Hz

Operating frequency: DC to 400Hz

Rated currents: 1 to 30A @ 40°C max.

High potential test voltage: L → PE 3000VDC for 2 sec (standard types)

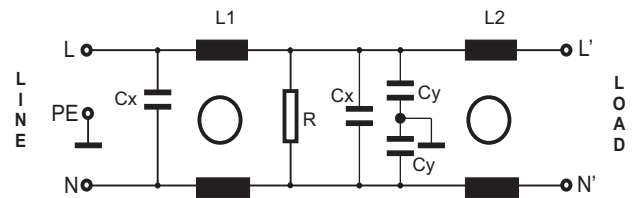
L → PE 3500VDC for 2 sec (B types)

L → N 1100VDC for 2 sec

Temperature range (operation and storage): -25°C to +100°C (25/100/21)

Design corresponding to: UL 1283.

CIRCUIT DIAGRAM:



Features and Benefits

- AMI-26 dual-stage filters are designed for easy and fast chassis mounting.
- The AMI-26 filters are also available as B versions with no Y-capacitors for medical applications as well as A versions with low capacitance for safety critical applications with requirements for low leakage currents.
- All filters provide a general purpose conducted attenuation performance, based on chokes with high saturation resistance and excellent thermal behavior.
- The AMI-26 Filter can be use to cover a broad range of uses and they offer a good size/ampere ratio
- AMI-26 filters are also available as single stage filters (AMI-21 series).
- Various terminal options allow you to select the desire connection style.

Typical Applications

- Consumer electronics
- Computing & accessories
- Residential appliances
- Medical accessories
- Electronic data processing equipment
- Office automation equipment
- Power supplies
- Machinery
- Various noisy application requires good attenuation performance filter

General EMI Filter with High Attenuation Performance

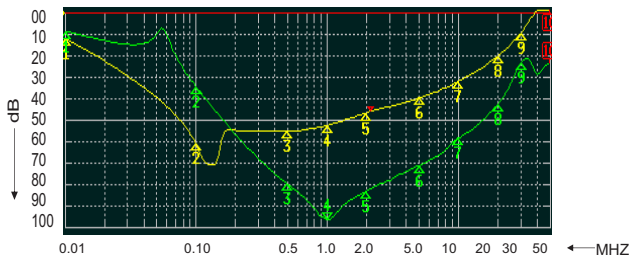


FILTER SELECTION TABLE

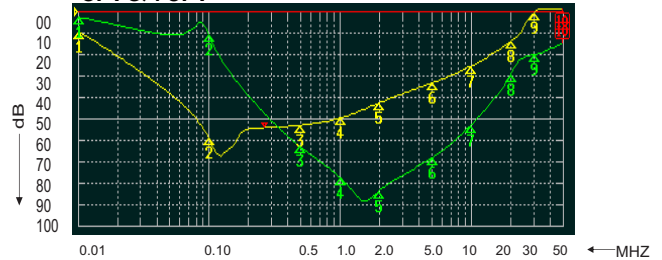
	Rated current @40°C	Leakage current @ 250VAC/50Hz (@ 120VAC/60Hz)	Inductance ΣL	Capacitance ΣC_x	Capacitance ΣC_y	Resistance ΣR	Connetion type		
	A	mA	mH	μF	nF	K_{Ω}			
AMI-26-1-X	1 (1.2)	0.74 (0.43)	24	0.44	9.4	1000	1	3	
AMI-26-3-X	3 (3.5)	0.74 (0.43)	5	0.44	9.4	1000	1	3	
AMI-26-6-X	6 (6.9)	0.74 (0.43)	1.94	0.44	9.4	1000	1	3	
AMI-26-10-X	10 (11.5)	0.74 (0.43)	1.6	0.94	9.4	470	1	3	
AMI-26-12-X	12 (13.8)	0.74 (0.43)	1.16	0.94	9.4	470	1	3	
AMI-26-16-X	16 (18.4)	0.74 (0.43)	1.3	0.66	9.4	1000	1	3	
AMI-26-20-X	20 (23.0)	0.74 (0.43)	1.2	2.0	9.4	220	1	3	6
AMI-26-30-X	30 (34.5)	0.74 (0.43)	1.2	2.0	20	220			6
AMI-26A-1-X	1 (1.2)	0.074 (0.04)	24	0.44	0.94	1000	1	3	
AMI-26A-3-X	3 (3.5)	0.074 (0.04)	5	0.44	0.94	1000	1	3	
AMI-26A-6-X	6 (6.9)	0.074 (0.04)	1.94	0.44	0.94	1000	1	3	
AMI-26A-10-X	10 (11.5)	0.074 (0.04)	1.6	0.94	0.94	470	1	3	
AMI-26A-12-X	12 (13.8)	0.074 (0.04)	1.16	0.94	0.94	470	1	3	
AMI-26A-16-X	16 (18.4)	0.074 (0.04)	1.3	0.66	0.94	1000	1	3	
AMI-26A-20-X	20 (23.0)	0.074 (0.04)	1.2	2.0	0.94	220	1	3	6
AMI-26A-30-X	30 (34.5)	0.074 (0.04)	1.2	2.0	0.94	220			6
AMI-26B-1-X	1 (1.2)	0.024 (0.01D)	24	0.44	0.94	1000	1	3	
AMI-26B-3-X	3 (3.5)	0.024 (0.01D)	5	0.44	0.94	1000	1	3	
AMI-26B-6-X	6 (6.9)	0.024 (0.01D)	1.94	0.44	0.94	1000	1	3	
AMI-26B-10-X	10 (11.5)	0.024 (0.01D)	1.6	0.94	0.94	470	1	3	
AMI-26B-12-X	12 (13.8)	0.024 (0.01D)	1.16	0.94	0.94	470	1	3	
AMI-26B-16-X	16 (18.4)	0.024 (0.01D)	1.3	0.66	0.94	1000	1	3	
AMI-26B-20-X	20 (23.0)	0.024 (0.01D)	1.2	2.0	0.94	220	1	3	6
AMI-26B-30-X	30 (34.5)	0.024 (0.01D)	1.2	2.0	0.94	220			6
Where X denotes connection style									

Insertion Loss: Common mode - —
Differential mode - —

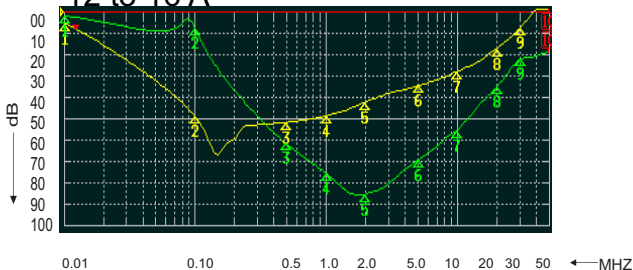
1 to 3 A



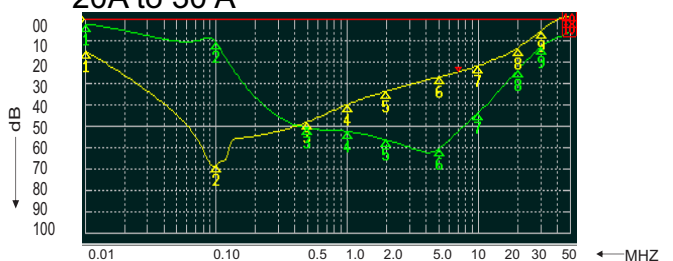
6A & 10A



12 to 16 A



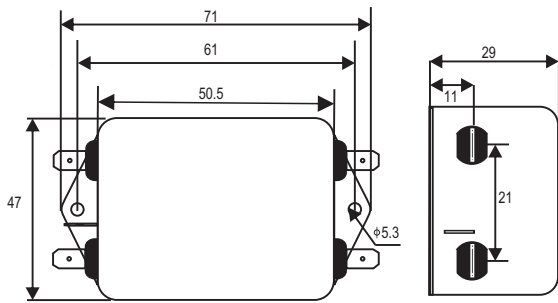
20A to 30 A



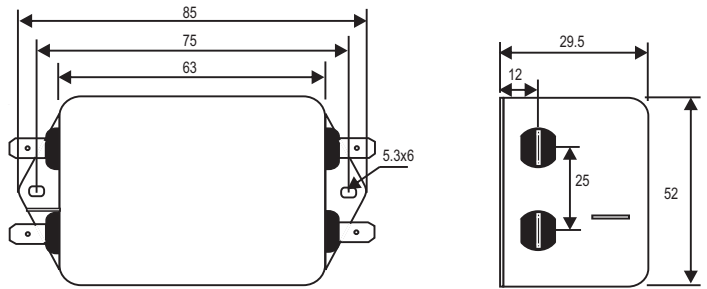
General EMI Filter with High Attenuation Performance

MECHANICAL DIMENSION (mm):

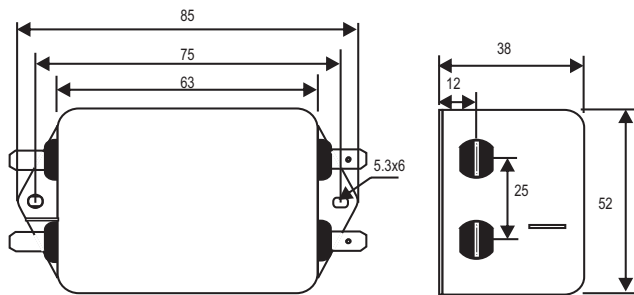
CONNECTION TYPE -1
1A to 6A



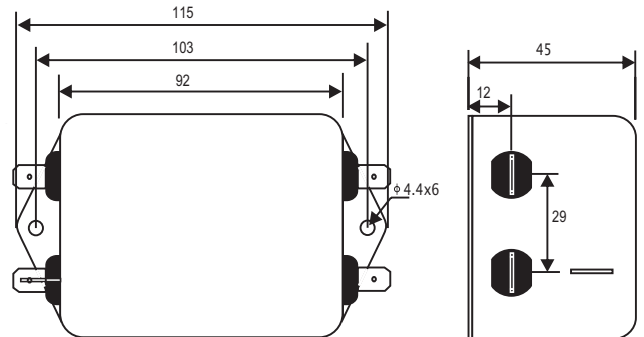
CONNECTION TYPE -1
10A & 12A



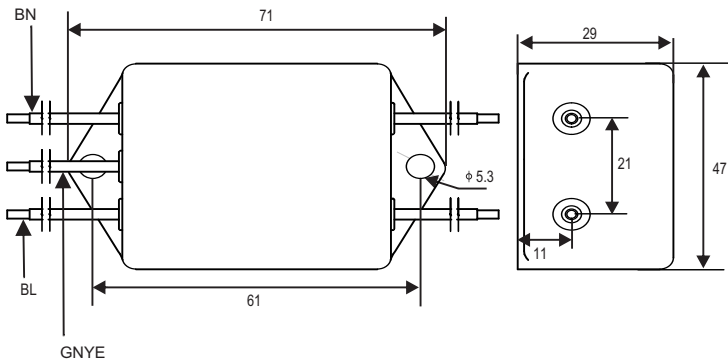
CONNECTION TYPE -1
16A



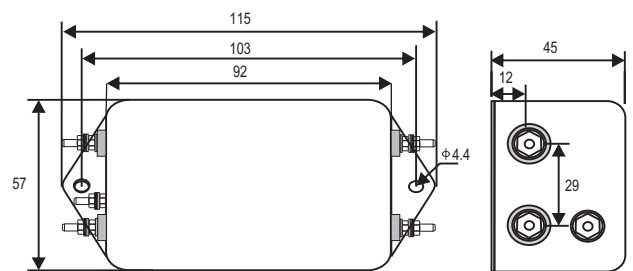
CONNECTION TYPE -1
20A



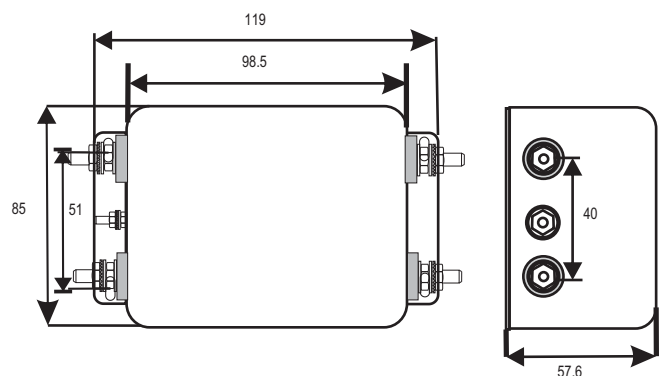
CONNECTION TYPE -3
20A



CONNECTION TYPE -6
20A



CONNECTION TYPE -6
30A



NOTE:

All Dimension in mm

- Connection type: 1 - Spade Terminals (6.3 x 0.8)
- 3 - Wire leads (140mm on both sides)
- 6 - Threaded Bolt Terminals (M4)